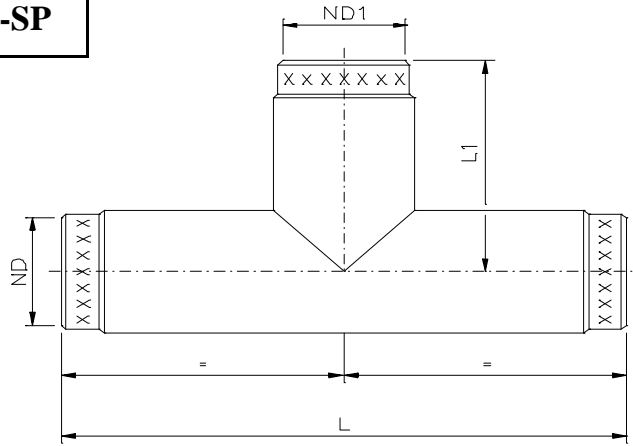



FRP Tee - SP/SP-SP

Fiberstrong® Product Data
Applicable Series : PCN/VCN



| ND Inch | ND1 Inch | 50 Psig | | 100 Psig | | 150 Psig | |
|------------|-------------|-----------|------------|-----------|------------|-----------|------------|
| | | L Inch | L1 Inch | L Inch | L1 Inch | L Inch | L1 Inch |
| 3 | 3 | 21 | 11 | 21 | 11 | 21 | 11 |
| 4 | 3 | 21 | 11 | 21 | 11 | 21 | 11 |
| 4 | 4 | 22 | 11 | 22 | 11 | 22 | 11 |
| 6 | 3 | 21 | 12 | 21 | 12 | 21 | 12 |
| 6 | 4 | 22 | 12 | 22 | 12 | 22 | 12 |
| 6 | 6 | 24 | 12 | 24 | 12 | 24 | 12 |
| 8 | 3 | 21 | 13 | 21 | 13 | 21 | 13 |
| 8 | 4 | 22 | 13 | 22 | 13 | 22 | 13 |
| 8 | 6 | 24 | 13 | 24 | 13 | 24 | 13 |
| 8 | 8 | 26 | 13 | 26 | 13 | 27 | 13 |
| 10 | 4 | 22 | 14 | 22 | 14 | 22 | 14 |
| 10 | 6 | 24 | 14 | 24 | 14 | 24 | 14 |
| 10 | 8 | 26 | 14 | 26 | 14 | 27 | 14 |
| 10 | 10 | 28 | 14 | 28 | 14 | 30 | 15 |
| 12 | 6 | 24 | 15 | 24 | 15 | 24 | 15 |
| 12 | 8 | 26 | 15 | 26 | 15 | 27 | 16 |
| 12 | 10 | 28 | 15 | 28 | 16 | 30 | 16 |
| 12 | 12 | 30 | 15 | 32 | 16 | 33 | 17 |
| 14 | 8 | 32 | 16 | 32 | 16 | 32 | 17 |
| 14 | 10 | 33 | 16 | 34 | 17 | 36 | 17 |
| 14 | 12 | 36 | 16 | 37 | 17 | 39 | 18 |
| 14 | 14 | 38 | 19 | 40 | 20 | 42 | 21 |

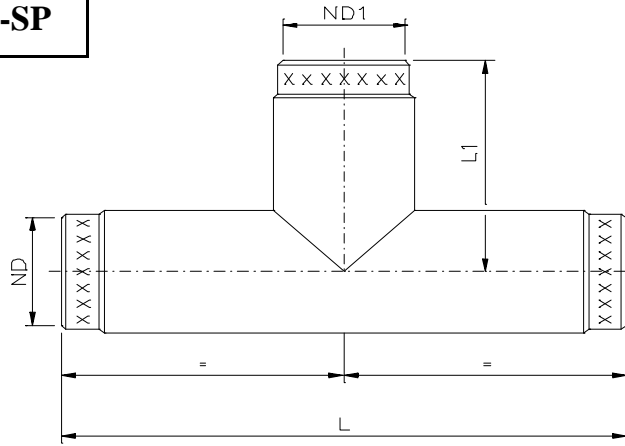
| | | | | |
|---|-------------|---------------------|------------|----------|
|  | Checked : | | Approved : | |
| | Prepared | JK | Date : | 26-10-05 |
| | Drawing No. | FS-STD-FITT-INCH-06 | | Rev. 0 |

This document contains confidential and proprietary information of Future Pipe Industries L.L.C. No reproduction or disclosure of any part hereof to third parties or use hereof is allowed without authorization in writing. All rights are vested in Future Pipe Industries


FRP Tee - SP/SP-SP

Fiberstrong® Product Data

Applicable Series : PCN/VCN



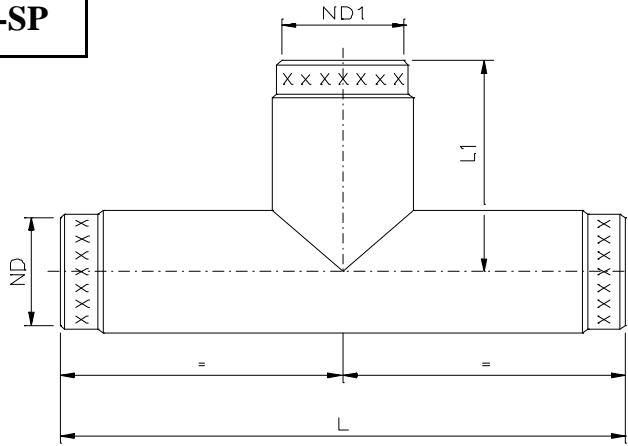
| ND Inch | ND1 Inch | 50 Psig | | 100 Psig | | 150 Psig | |
|------------|-------------|-----------|------------|-----------|------------|-----------|------------|
| | | L Inch | L1 Inch | L Inch | L1 Inch | L Inch | L1 Inch |
| 16 | 6 | 29 | 17 | 29 | 17 | 29 | 17 |
| 16 | 8 | 32 | 17 | 32 | 17 | 32 | 18 |
| 16 | 10 | 33 | 17 | 34 | 18 | 36 | 18 |
| 16 | 12 | 36 | 17 | 37 | 18 | 39 | 19 |
| 16 | 14 | 38 | 20 | 40 | 21 | 42 | 22 |
| 16 | 16 | 41 | 21 | 43 | 22 | 45 | 23 |
| 18 | 8 | 32 | 18 | 32 | 18 | 32 | 19 |
| 18 | 10 | 33 | 18 | 34 | 19 | 36 | 19 |
| 18 | 12 | 36 | 18 | 37 | 19 | 39 | 20 |
| 18 | 14 | 38 | 21 | 40 | 22 | 42 | 23 |
| 18 | 16 | 41 | 22 | 43 | 23 | 45 | 24 |
| 18 | 18 | 44 | 22 | 46 | 23 | 48 | 24 |
| 20 | 8 | 32 | 19 | 32 | 19 | 32 | 20 |
| 20 | 10 | 33 | 19 | 34 | 20 | 36 | 20 |
| 20 | 12 | 36 | 19 | 37 | 20 | 39 | 21 |
| 20 | 14 | 38 | 22 | 40 | 23 | 42 | 24 |
| 20 | 16 | 41 | 23 | 43 | 24 | 45 | 25 |
| 20 | 18 | 44 | 23 | 46 | 24 | 48 | 25 |
| 20 | 20 | 47 | 23 | 49 | 25 | 52 | 26 |
| 24 | 10 | 36 | 21 | 36 | 22 | 38 | 22 |
| 24 | 12 | 38 | 21 | 40 | 22 | 41 | 23 |
| 24 | 14 | 40 | 24 | 43 | 25 | 44 | 26 |
| 24 | 16 | 44 | 25 | 45 | 26 | 48 | 27 |
| 24 | 18 | 46 | 25 | 48 | 26 | 51 | 27 |
| 24 | 20 | 49 | 25 | 52 | 27 | 54 | 28 |
| 24 | 24 | 54 | 27 | 57 | 29 | 60 | 30 |

| | | | | |
|---|-------------|----------------------|------------|----------|
|  <p>FUTURE PIPE INDUSTRIES Complete Pipe System Solutions</p> | Checked : | | Approved : | |
| | Prepared | JK | Date : | 26-10-05 |
| | Drawing No. | FS-STD-FITT-INCH- 07 | | Rev. 0 |


This document contains confidential and proprietary information of Future Pipe Industries. No reproduction or disclosure of any part hereof to third parties or use hereof is allowed without authorization in writing. All rights are vested in Future Pipe Industries

FRP Tee - SP/SP-SP

Fiberstrong® Product Data
Applicable Series : PCN/VCN



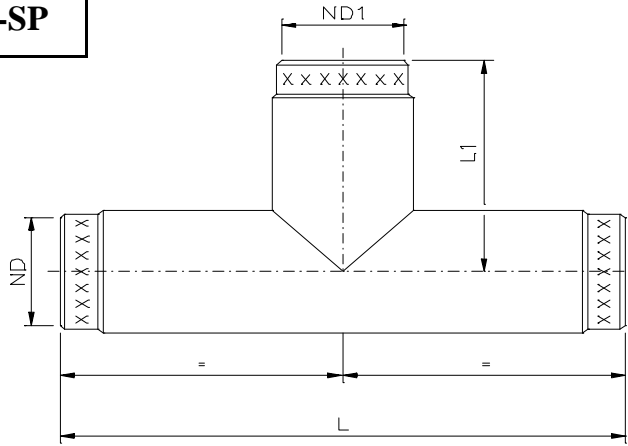
| ND Inch | ND1 Inch | 50 Psig | | 100 Psig | | 150 Psig | |
|------------|-------------|-----------|------------|-----------|------------|-----------|------------|
| | | L Inch | L1 Inch | L Inch | L1 Inch | L Inch | L1 Inch |
| 27 | 10 | 36 | 23 | 36 | 24 | 38 | 24 |
| 27 | 12 | 38 | 23 | 40 | 24 | 41 | 25 |
| 27 | 14 | 40 | 27 | 43 | 28 | 44 | 28 |
| 27 | 16 | 44 | 27 | 45 | 28 | 48 | 29 |
| 27 | 18 | 46 | 27 | 48 | 28 | 51 | 30 |
| 27 | 20 | 49 | 28 | 52 | 29 | 54 | 30 |
| 27 | 24 | 54 | 29 | 57 | 31 | 60 | 33 |
| 27 | 27 | 60 | 30 | 64 | 32 | 68 | 34 |
| 30 | 12 | 38 | 24 | 40 | 25 | 41 | 26 |
| 30 | 14 | 40 | 28 | 43 | 29 | 44 | 29 |
| 30 | 16 | 44 | 28 | 45 | 29 | 48 | 30 |
| 30 | 18 | 46 | 28 | 48 | 29 | 51 | 31 |
| 30 | 20 | 49 | 29 | 52 | 30 | 54 | 31 |
| 30 | 24 | 54 | 30 | 57 | 32 | 60 | 34 |
| 30 | 27 | 60 | 31 | 64 | 33 | 68 | 35 |
| 30 | 30 | 63 | 31 | 67 | 33 | 71 | 35 |
| 33 | 12 | 38 | 26 | 40 | 26 | 41 | 27 |
| 33 | 14 | 40 | 29 | 43 | 30 | 44 | 30 |
| 33 | 16 | 44 | 29 | 45 | 30 | 48 | 31 |
| 33 | 18 | 46 | 29 | 48 | 30 | 51 | 32 |
| 33 | 20 | 49 | 30 | 52 | 31 | 54 | 32 |
| 33 | 24 | 54 | 31 | 57 | 33 | 60 | 35 |
| 33 | 27 | 60 | 32 | 64 | 34 | 68 | 36 |
| 33 | 30 | 63 | 32 | 67 | 34 | 71 | 36 |
| 33 | 33 | 65 | 33 | 69 | 35 | 74 | 37 |
| 36 | 12 | 38 | 28 | 40 | 28 | 41 | 29 |
| 36 | 14 | 40 | 31 | 43 | 32 | 44 | 32 |
| 36 | 16 | 44 | 31 | 45 | 32 | 48 | 33 |
| 36 | 18 | 46 | 31 | 48 | 32 | 51 | 34 |
| 36 | 20 | 49 | 32 | 52 | 33 | 54 | 34 |

| | | | | |
|---|-------------|---------------------|------------|----------|
|  <p>FUTURE PIPE INDUSTRIES Complete Pipe System Solutions</p> | Checked : | | Approved : | |
| | Prepared | JK | Date : | 26-10-05 |
| | Drawing No. | FS-STD-FITT-INCH-08 | | Rev. 0 |


This document contains confidential and proprietary information of Future Pipe Industries. No reproduction or disclosure of any part hereof to third parties or use hereof is allowed without authorization in writing. All rights are vested in Future Pipe Industries

FRP Tee - SP/SP-SP

Fiberstrong® Product Data
Applicable Series : PCN/VCN



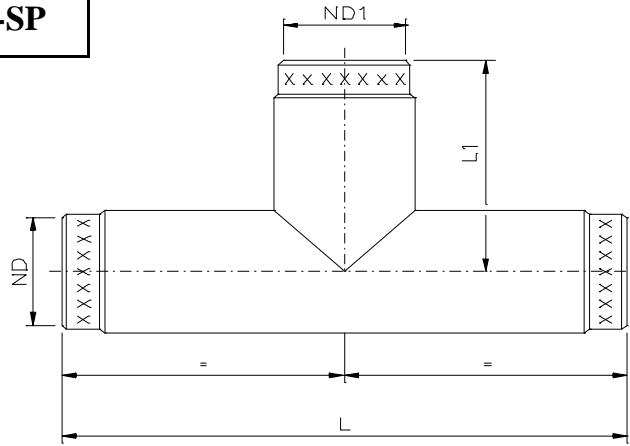
| ND Inch | ND1 Inch | 50 Psig | | 100 Psig | | 150 Psig | |
|------------|-------------|-----------|------------|-----------|------------|-----------|------------|
| | | L Inch | L1 Inch | L Inch | L1 Inch | L Inch | L1 Inch |
| 36 | 24 | 54 | 33 | 57 | 35 | 60 | 37 |
| 36 | 27 | 60 | 34 | 64 | 36 | 68 | 38 |
| 36 | 30 | 63 | 34 | 67 | 36 | 71 | 38 |
| 36 | 33 | 65 | 35 | 69 | 37 | 74 | 39 |
| 36 | 36 | 71 | 35 | 76 | 38 | 80 | 40 |
| 42 | 12 | 42 | 32 | 44 | 33 | 45 | 33 |
| 42 | 14 | 44 | 35 | 47 | 36 | 48 | 37 |
| 42 | 16 | 48 | 35 | 49 | 36 | 52 | 37 |
| 42 | 18 | 50 | 35 | 52 | 37 | 55 | 38 |
| 42 | 20 | 53 | 36 | 56 | 37 | 58 | 38 |
| 42 | 24 | 58 | 38 | 61 | 39 | 64 | 41 |
| 42 | 27 | 64 | 38 | 68 | 40 | 72 | 42 |
| 42 | 30 | 67 | 39 | 71 | 41 | 75 | 43 |
| 42 | 33 | 69 | 39 | 73 | 41 | 78 | 43 |
| 42 | 36 | 75 | 40 | 80 | 42 | 84 | 44 |
| 42 | 42 | 86 | 43 | 92 | 46 | 97 | 49 |
| 48 | 12 | 42 | 34 | 44 | 35 | 45 | 35 |
| 48 | 14 | 44 | 37 | 47 | 38 | 48 | 39 |
| 48 | 16 | 48 | 37 | 49 | 38 | 52 | 39 |
| 48 | 18 | 50 | 38 | 52 | 39 | 55 | 40 |
| 48 | 20 | 53 | 38 | 56 | 39 | 58 | 41 |
| 48 | 24 | 58 | 40 | 61 | 41 | 64 | 43 |
| 48 | 27 | 64 | 41 | 68 | 42 | 72 | 44 |
| 48 | 30 | 67 | 41 | 71 | 43 | 75 | 45 |
| 48 | 33 | 69 | 41 | 73 | 43 | 78 | 45 |
| 48 | 36 | 75 | 42 | 80 | 44 | 84 | 46 |
| 48 | 42 | 86 | 45 | 92 | 48 | 97 | 51 |
| 48 | 48 | 92 | 46 | 98 | 49 | 104 | 52 |

| | | | | |
|---|-------------|----------------------|------------|----------|
|  | Checked : | | Approved : | |
| | Prepared | JK | Date : | 26-10-05 |
| | Drawing No. | FS-STD-FITT-INCH- 09 | | Rev. 0 |


This document contains confidential and proprietary information of Future Pipe Industries. No reproduction or disclosure of any part hereof to third parties or use hereof is allowed without authorization in writing. All rights are vested in Future Pipe Industries

FRP Tee - SP/SP-SP

Fiberstrong® Product Data
Applicable Series : PCN/VCN



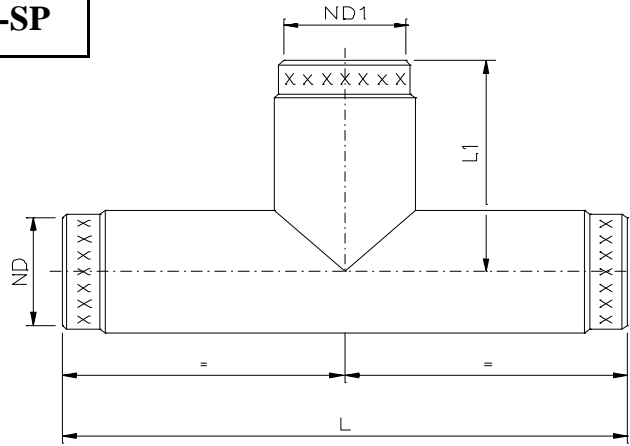
| ND Inch | ND1 Inch | 50 Psig | | 100 Psig | | 150 Psig | |
|------------|-------------|-----------|------------|-----------|------------|-----------|------------|
| | | L Inch | L1 Inch | L Inch | L1 Inch | L Inch | L1 Inch |
| 54 | 12 | 42 | 38 | 44 | 39 | 45 | 40 |
| 54 | 14 | 44 | 41 | 47 | 42 | 48 | 43 |
| 54 | 16 | 48 | 41 | 49 | 42 | 52 | 43 |
| 54 | 18 | 50 | 42 | 52 | 43 | 55 | 44 |
| 54 | 20 | 53 | 42 | 56 | 43 | 58 | 45 |
| 54 | 24 | 58 | 44 | 61 | 45 | 64 | 47 |
| 54 | 27 | 64 | 45 | 68 | 46 | 72 | 48 |
| 54 | 30 | 67 | 45 | 71 | 47 | 75 | 49 |
| 54 | 33 | 69 | 45 | 73 | 47 | 78 | 49 |
| 54 | 36 | 75 | 46 | 80 | 48 | 84 | 50 |
| 54 | 42 | 86 | 49 | 92 | 52 | 97 | 55 |
| 54 | 48 | 92 | 50 | 98 | 53 | 104 | 56 |
| 54 | 54 | 102 | 51 | 109 | 55 | 116 | 58 |
| 60 | 12 | 42 | 40 | 44 | 41 | 45 | 42 |
| 60 | 14 | 44 | 43 | 47 | 44 | 48 | 45 |
| 60 | 16 | 48 | 44 | 49 | 45 | 52 | 46 |
| 60 | 18 | 50 | 44 | 52 | 45 | 55 | 46 |
| 60 | 20 | 53 | 44 | 56 | 45 | 58 | 47 |
| 60 | 24 | 58 | 46 | 61 | 48 | 64 | 49 |
| 60 | 27 | 64 | 47 | 68 | 49 | 72 | 50 |
| 60 | 30 | 67 | 47 | 71 | 49 | 75 | 51 |
| 60 | 33 | 69 | 47 | 73 | 49 | 78 | 52 |
| 60 | 36 | 75 | 48 | 80 | 50 | 84 | 53 |
| 60 | 42 | 86 | 51 | 92 | 54 | 97 | 57 |
| 60 | 48 | 92 | 52 | 98 | 55 | 104 | 58 |
| 60 | 54 | 102 | 53 | 109 | 57 | 116 | 61 |
| 60 | 60 | 108 | 54 | 116 | 58 | 124 | 62 |
| 64 | 12 | 42 | 42 | 44 | 43 | 45 | 44 |
| 64 | 14 | 44 | 45 | 47 | 46 | 48 | 47 |
| 64 | 16 | 48 | 46 | 49 | 47 | 52 | 48 |

| | | | | |
|---|-------------|----------------------|------------|----------|
|  <p>FUTURE PIPE INDUSTRIES Complete Pipe System Solutions</p> | Checked : | | Approved : | |
| | Prepared | JK | Date : | 26-10-05 |
| | Drawing No. | FS-STD-FITT-INCH- 10 | | Rev. 0 |


This document contains confidential and proprietary information of Future Pipe Industries. No reproduction or disclosure of any part hereof to third parties or use hereof is allowed without authorization in writing. All rights are vested in Future Pipe Industries

FRP Tee - SP/SP-SP

Fiberstrong® Product Data
Applicable Series : PCN/VCN



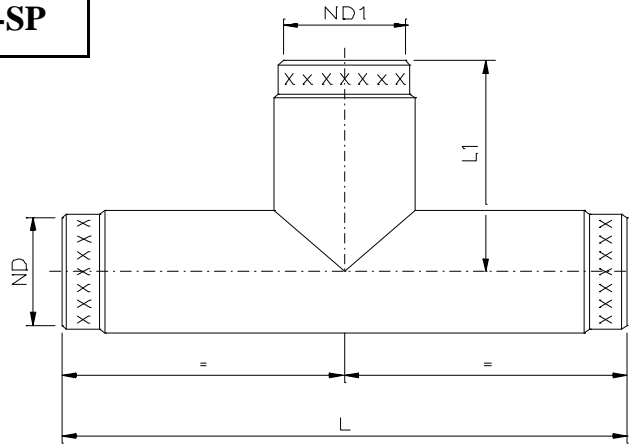
| ND Inch | ND1 Inch | 50 Psig | | 100 Psig | | 150 Psig | |
|------------|-------------|-----------|------------|-----------|------------|-----------|------------|
| | | L Inch | L1 Inch | L Inch | L1 Inch | L Inch | L1 Inch |
| 64 | 18 | 50 | 46 | 52 | 47 | 55 | 48 |
| 64 | 20 | 53 | 46 | 56 | 47 | 58 | 49 |
| 64 | 24 | 58 | 48 | 61 | 50 | 64 | 51 |
| 64 | 27 | 64 | 49 | 68 | 51 | 72 | 52 |
| 64 | 30 | 67 | 49 | 71 | 51 | 75 | 53 |
| 64 | 33 | 69 | 49 | 73 | 51 | 78 | 54 |
| 64 | 36 | 75 | 50 | 80 | 52 | 84 | 55 |
| 64 | 42 | 86 | 53 | 92 | 56 | 97 | 59 |
| 64 | 48 | 92 | 54 | 98 | 57 | 104 | 60 |
| 64 | 54 | 102 | 55 | 109 | 59 | 116 | 63 |
| 64 | 60 | 108 | 56 | 116 | 60 | 124 | 64 |
| 64 | 64 | 113 | 57 | 121 | 61 | 130 | 65 |
| 66 | 12 | 42 | 44 | 44 | 45 | 45 | 46 |
| 66 | 14 | 44 | 47 | 47 | 48 | 48 | 49 |
| 66 | 16 | 48 | 48 | 49 | 49 | 52 | 50 |
| 66 | 18 | 50 | 48 | 52 | 49 | 55 | 50 |
| 66 | 20 | 53 | 48 | 56 | 50 | 58 | 51 |
| 66 | 24 | 58 | 50 | 61 | 52 | 64 | 53 |
| 66 | 27 | 64 | 51 | 68 | 53 | 72 | 55 |
| 66 | 30 | 67 | 51 | 71 | 53 | 75 | 55 |
| 66 | 33 | 69 | 52 | 73 | 54 | 78 | 56 |
| 66 | 36 | 75 | 52 | 80 | 55 | 84 | 57 |
| 66 | 42 | 86 | 56 | 92 | 58 | 97 | 61 |
| 66 | 48 | 92 | 56 | 98 | 59 | 104 | 62 |
| 66 | 54 | 102 | 58 | 109 | 61 | 116 | 65 |
| 66 | 60 | 108 | 58 | 116 | 62 | 124 | 66 |
| 66 | 64 | 113 | 59 | 121 | 63 | 130 | 67 |
| 66 | 66 | 119 | 59 | 128 | 64 | 136 | 68 |

| | | | | |
|---|-------------|----------------------|------------|----------|
|  | Checked : | | Approved : | |
| | Prepared | JK | Date : | 26-10-05 |
| | Drawing No. | FS-STD-FITT-INCH- 11 | | Rev. 0 |


This document contains confidential and proprietary information of Future Pipe Industries. No reproduction or disclosure of any part hereof to third parties or use hereof is allowed without authorization in writing. All rights are vested in Future Pipe Industries

FRP Tee - SP/SP-SP

Fiberstrong® Product Data
Applicable Series : PCN/VCN



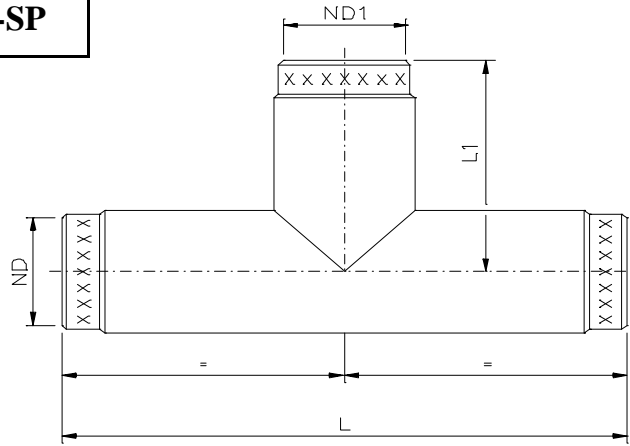
| ND Inch | ND1 Inch | 50 Psig | | 100 Psig | | 150 Psig | |
|------------|-------------|-----------|------------|-----------|------------|-----------|------------|
| | | L Inch | L1 Inch | L Inch | L1 Inch | L Inch | L1 Inch |
| 72 | 12 | 42 | 46 | 44 | 47 | 45 | 48 |
| 72 | 14 | 44 | 49 | 47 | 50 | 48 | 51 |
| 72 | 16 | 48 | 50 | 49 | 51 | 52 | 52 |
| 72 | 18 | 50 | 50 | 52 | 51 | 55 | 52 |
| 72 | 20 | 53 | 50 | 56 | 52 | 58 | 53 |
| 72 | 24 | 58 | 52 | 61 | 54 | 64 | 55 |
| 72 | 27 | 64 | 53 | 68 | 55 | 72 | 57 |
| 72 | 30 | 67 | 53 | 71 | 55 | 75 | 57 |
| 72 | 33 | 69 | 54 | 73 | 56 | 78 | 58 |
| 72 | 36 | 75 | 54 | 80 | 57 | 84 | 59 |
| 72 | 42 | 86 | 58 | 92 | 60 | 97 | 63 |
| 72 | 48 | 92 | 58 | 98 | 61 | 104 | 64 |
| 72 | 54 | 102 | 60 | 109 | 63 | 116 | 67 |
| 72 | 60 | 108 | 60 | 116 | 64 | 124 | 68 |
| 72 | 64 | 113 | 61 | 121 | 65 | 130 | 69 |
| 72 | 66 | 119 | 61 | 128 | 66 | 136 | 70 |
| 72 | 72 | 124 | 62 | 133 | 67 | 143 | 71 |
| 74 | 12 | 42 | 48 | 44 | 49 | 45 | 50 |
| 74 | 14 | 44 | 51 | 47 | 52 | 48 | 53 |
| 74 | 16 | 48 | 52 | 49 | 53 | 52 | 54 |
| 74 | 18 | 50 | 52 | 52 | 53 | 55 | 54 |
| 74 | 20 | 53 | 52 | 56 | 54 | 58 | 55 |
| 74 | 24 | 58 | 54 | 61 | 56 | 64 | 57 |
| 74 | 27 | 64 | 55 | 68 | 57 | 72 | 59 |
| 74 | 30 | 67 | 55 | 71 | 57 | 75 | 59 |
| 74 | 33 | 69 | 56 | 73 | 58 | 78 | 60 |
| 74 | 36 | 75 | 56 | 80 | 59 | 84 | 61 |
| 74 | 42 | 86 | 60 | 92 | 62 | 97 | 65 |
| 74 | 48 | 92 | 60 | 98 | 63 | 104 | 66 |
| 74 | 54 | 96 | 61 | 104 | 64 | 110 | 68 |
| 74 | 60 | 108 | 62 | 116 | 66 | 124 | 70 |
| 74 | 64 | 113 | 63 | 121 | 67 | 130 | 71 |

| | | | | |
|---|-------------|----------------------|------------|----------|
|  | Checked : | | Approved : | |
| | Prepared | JK | Date : | 26-10-05 |
| | Drawing No. | FS-STD-FITT-INCH- 12 | | Rev. 0 |


This document contains confidential and proprietary information of Future Pipe Industries. No reproduction or disclosure of any part hereof to third parties or use hereof is allowed without authorization in writing. All rights are vested in Future Pipe Industries

FRP Tee - SP/SP-SP

Fiberstrong® Product Data
Applicable Series : PCN/VCN



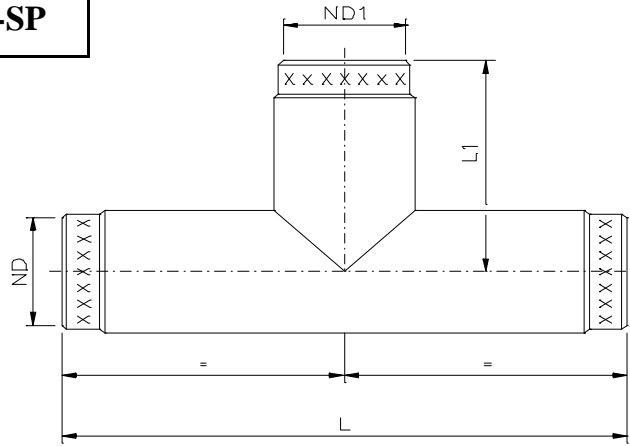
| ND Inch | ND1 Inch | 50 Psig | | 100 Psig | | 150 Psig | |
|------------|-------------|-----------|------------|-----------|------------|-----------|------------|
| | | L Inch | L1 Inch | L Inch | L1 Inch | L Inch | L1 Inch |
| 74 | 66 | 119 | 63 | 128 | 68 | 136 | 72 |
| 74 | 72 | 124 | 64 | 133 | 69 | 143 | 73 |
| 74 | 74 | 129 | 65 | 140 | 70 | 149 | 75 |
| 78 | 12 | 46 | 50 | 48 | 51 | 49 | 52 |
| 78 | 14 | 48 | 54 | 51 | 55 | 52 | 55 |
| 78 | 16 | 52 | 54 | 53 | 55 | 56 | 56 |
| 78 | 18 | 54 | 54 | 56 | 55 | 59 | 57 |
| 78 | 20 | 57 | 55 | 60 | 56 | 62 | 57 |
| 78 | 24 | 62 | 56 | 65 | 58 | 68 | 60 |
| 78 | 27 | 68 | 57 | 72 | 59 | 76 | 61 |
| 78 | 30 | 71 | 57 | 75 | 59 | 79 | 61 |
| 78 | 33 | 73 | 58 | 77 | 60 | 82 | 62 |
| 78 | 36 | 79 | 58 | 84 | 61 | 88 | 63 |
| 78 | 42 | 90 | 62 | 96 | 65 | 101 | 67 |
| 78 | 48 | 96 | 62 | 102 | 66 | 108 | 69 |
| 78 | 54 | 106 | 64 | 113 | 67 | 120 | 71 |
| 78 | 60 | 112 | 64 | 120 | 68 | 128 | 72 |
| 78 | 64 | 117 | 65 | 125 | 69 | 134 | 73 |
| 78 | 66 | 123 | 66 | 132 | 70 | 140 | 74 |
| 78 | 72 | 128 | 66 | 137 | 71 | 147 | 76 |
| 78 | 74 | 133 | 67 | 144 | 72 | 153 | 77 |
| 78 | 78 | 139 | 70 | 149 | 75 | 160 | 80 |
| 82 | 12 | 46 | 53 | 48 | 53 | 49 | 54 |
| 82 | 14 | 48 | 56 | 51 | 57 | 52 | 57 |
| 82 | 16 | 52 | 56 | 53 | 57 | 56 | 58 |
| 82 | 18 | 54 | 56 | 56 | 57 | 59 | 59 |
| 82 | 20 | 57 | 57 | 60 | 58 | 62 | 59 |
| 82 | 24 | 62 | 58 | 65 | 60 | 68 | 62 |
| 82 | 27 | 68 | 59 | 72 | 61 | 76 | 63 |
| 82 | 30 | 71 | 59 | 75 | 61 | 79 | 63 |
| 82 | 33 | 73 | 60 | 77 | 62 | 82 | 64 |

| | | | | |
|---|-------------|----------------------|------------|----------|
|  | Checked : | | Approved : | |
| | Prepared | JK | Date : | 26-10-05 |
| | Drawing No. | FS-STD-FITT-INCH- 13 | | Rev. 0 |


This document contains confidential and proprietary information of Future Pipe Industries. No reproduction or disclosure of any part hereof to third parties or use hereof is allowed without authorization in writing. All rights are vested in Future Pipe Industries

FRP Tee - SP/SP-SP

Fiberstrong® Product Data
Applicable Series : PCN/VCN



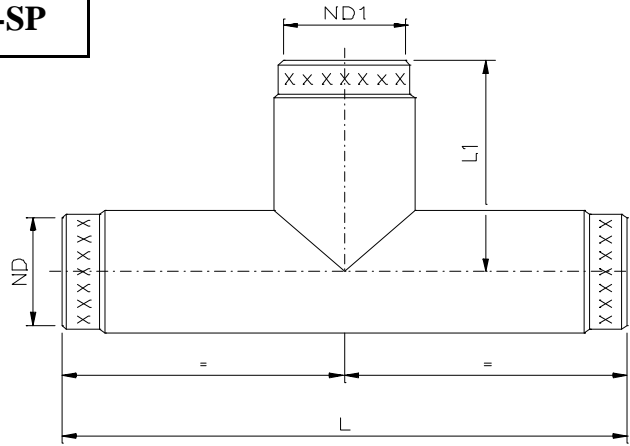
| ND Inch | ND1 Inch | 50 Psig | | 100 Psig | | 150 Psig | |
|------------|-------------|-----------|------------|-----------|------------|-----------|------------|
| | | L Inch | L1 Inch | L Inch | L1 Inch | L Inch | L1 Inch |
| 82 | 36 | 79 | 60 | 84 | 63 | 88 | 65 |
| 82 | 42 | 90 | 64 | 96 | 67 | 101 | 69 |
| 82 | 48 | 96 | 64 | 102 | 68 | 108 | 71 |
| 82 | 54 | 106 | 66 | 113 | 69 | 120 | 73 |
| 82 | 60 | 112 | 66 | 120 | 70 | 128 | 74 |
| 82 | 64 | 117 | 67 | 125 | 71 | 134 | 75 |
| 82 | 66 | 123 | 68 | 132 | 72 | 140 | 76 |
| 82 | 72 | 128 | 68 | 137 | 73 | 147 | 78 |
| 82 | 74 | 133 | 69 | 144 | 74 | 153 | 79 |
| 82 | 78 | 139 | 72 | 149 | 77 | 160 | 82 |
| 82 | 82 | 144 | 72 | 156 | 78 | 166 | 83 |
| 82 | 12 | 46 | 53 | 48 | 53 | 49 | 54 |
| 82 | 14 | 48 | 56 | 51 | 57 | 52 | 57 |
| 82 | 16 | 52 | 56 | 53 | 57 | 56 | 58 |
| 82 | 18 | 54 | 56 | 56 | 57 | 59 | 59 |
| 82 | 20 | 57 | 57 | 60 | 58 | 62 | 59 |
| 82 | 24 | 62 | 58 | 65 | 60 | 68 | 62 |
| 82 | 27 | 68 | 59 | 72 | 61 | 76 | 63 |
| 82 | 30 | 71 | 59 | 75 | 61 | 79 | 63 |
| 82 | 33 | 73 | 60 | 77 | 62 | 82 | 64 |
| 82 | 36 | 79 | 60 | 84 | 63 | 88 | 65 |
| 82 | 42 | 90 | 64 | 96 | 67 | 101 | 69 |
| 82 | 48 | 96 | 64 | 102 | 68 | 108 | 71 |
| 82 | 54 | 106 | 66 | 113 | 69 | 120 | 73 |
| 82 | 60 | 112 | 66 | 120 | 70 | 128 | 74 |
| 82 | 64 | 117 | 67 | 125 | 71 | 134 | 75 |
| 82 | 66 | 123 | 68 | 132 | 72 | 140 | 76 |
| 82 | 72 | 128 | 68 | 137 | 73 | 147 | 78 |
| 82 | 74 | 133 | 69 | 144 | 74 | 153 | 79 |
| 82 | 78 | 139 | 72 | 149 | 77 | 160 | 82 |
| 82 | 82 | 144 | 72 | 156 | 78 | 166 | 83 |

| | | | | |
|---|-------------|----------------------|------------|----------|
|  | Checked : | | Approved : | |
| | Prepared | JK | Date : | 26-10-05 |
| | Drawing No. | FS-STD-FITT-INCH- 14 | | Rev. 0 |


This document contains confidential and proprietary information of Future Pipe Industries. No reproduction or disclosure of any part hereof to third parties or use hereof is allowed without authorization in writing. All rights are vested in Future Pipe Industries

FRP Tee - SP/SP-SP

Fiberstrong® Product Data
Applicable Series : PCN/VCN



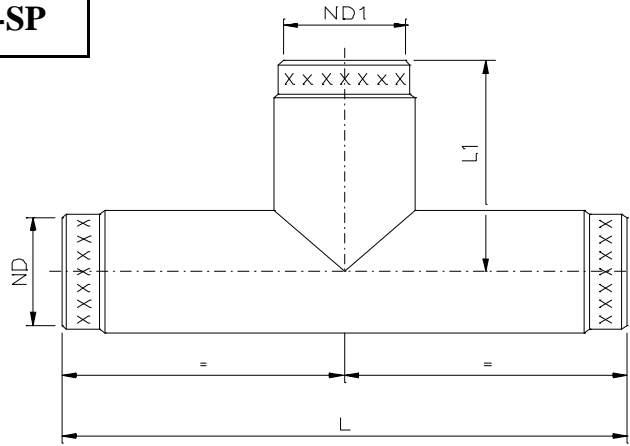
| ND Inch | ND1 Inch | 50 Psig | | 100 Psig | | 150 Psig | |
|------------|-------------|-----------|------------|-----------|------------|-----------|------------|
| | | L Inch | L1 Inch | L Inch | L1 Inch | L Inch | L1 Inch |
| 90 | 12 | 46 | 57 | 48 | 58 | 49 | 58 |
| 90 | 14 | 48 | 60 | 51 | 61 | 52 | 62 |
| 90 | 16 | 52 | 60 | 53 | 61 | 56 | 62 |
| 90 | 18 | 54 | 60 | 56 | 62 | 59 | 63 |
| 90 | 20 | 57 | 61 | 60 | 62 | 62 | 63 |
| 90 | 24 | 62 | 63 | 65 | 64 | 68 | 66 |
| 90 | 27 | 68 | 63 | 72 | 65 | 76 | 67 |
| 90 | 30 | 71 | 64 | 75 | 66 | 79 | 68 |
| 90 | 33 | 73 | 64 | 77 | 66 | 82 | 68 |
| 90 | 36 | 79 | 65 | 84 | 67 | 88 | 69 |
| 90 | 42 | 90 | 68 | 96 | 71 | 101 | 74 |
| 90 | 48 | 96 | 69 | 102 | 72 | 108 | 75 |
| 90 | 54 | 106 | 70 | 113 | 74 | 120 | 77 |
| 90 | 60 | 112 | 71 | 120 | 74 | 128 | 78 |
| 90 | 64 | 117 | 71 | 125 | 75 | 134 | 80 |
| 90 | 66 | 123 | 72 | 132 | 76 | 140 | 81 |
| 90 | 72 | 128 | 73 | 137 | 77 | 147 | 82 |
| 90 | 74 | 133 | 73 | 144 | 78 | 153 | 83 |
| 90 | 78 | 139 | 76 | 149 | 81 | 160 | 86 |
| 90 | 82 | 144 | 77 | 156 | 82 | 166 | 87 |
| 90 | 86 | 150 | 77 | 161 | 83 | 173 | 89 |
| 90 | 90 | 156 | 76 | 168 | 84 | 180 | 90 |
| 96 | 12 | 46 | 59 | 48 | 60 | 49 | 60 |
| 96 | 14 | 48 | 62 | 51 | 63 | 52 | 64 |
| 96 | 16 | 52 | 62 | 53 | 63 | 56 | 64 |
| 96 | 18 | 54 | 62 | 56 | 64 | 59 | 65 |
| 96 | 20 | 57 | 63 | 60 | 64 | 62 | 65 |
| 96 | 24 | 62 | 65 | 65 | 66 | 68 | 68 |
| 96 | 27 | 68 | 65 | 72 | 67 | 76 | 69 |
| 96 | 30 | 71 | 66 | 75 | 68 | 79 | 70 |
| 96 | 33 | 73 | 66 | 77 | 68 | 82 | 70 |
| 96 | 36 | 79 | 67 | 84 | 69 | 88 | 71 |

| | | | | |
|---|-------------|----------------------|------------|----------|
|  | Checked : | | Approved : | |
| | Prepared | JK | Date : | 26-10-05 |
| | Drawing No. | FS-STD-FITT-INCH- 15 | | Rev. 0 |


This document contains confidential and proprietary information of Future Pipe Industries. No reproduction or disclosure of any part hereof to third parties or use hereof is allowed without authorization in writing. All rights are vested in Future Pipe Industries

FRP Tee - SP/SP-SP

Fiberstrong® Product Data
Applicable Series : PCN/VCN



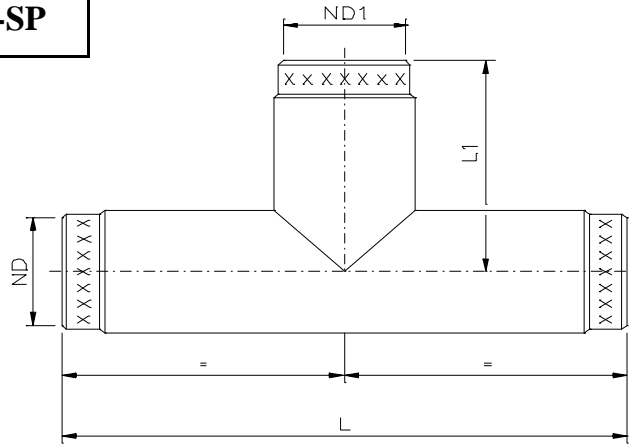
| ND Inch | ND1 Inch | 50 Psig | | 100 Psig | | 150 Psig | |
|------------|-------------|-----------|------------|-----------|------------|-----------|------------|
| | | L Inch | L1 Inch | L Inch | L1 Inch | L Inch | L1 Inch |
| 96 | 42 | 90 | 70 | 96 | 73 | 101 | 76 |
| 96 | 48 | 96 | 71 | 102 | 74 | 108 | 77 |
| 96 | 54 | 106 | 72 | 113 | 76 | 120 | 79 |
| 96 | 60 | 112 | 73 | 120 | 76 | 128 | 80 |
| 96 | 64 | 117 | 73 | 125 | 77 | 134 | 82 |
| 96 | 66 | 123 | 74 | 132 | 78 | 140 | 83 |
| 96 | 72 | 128 | 75 | 137 | 79 | 147 | 84 |
| 96 | 74 | 133 | 75 | 144 | 80 | 153 | 85 |
| 96 | 78 | 139 | 78 | 149 | 83 | 160 | 88 |
| 96 | 82 | 144 | 79 | 156 | 84 | 166 | 89 |
| 96 | 86 | 150 | 79 | 161 | 85 | 173 | 91 |
| 96 | 90 | 156 | 80 | 168 | 86 | 180 | 92 |
| 96 | 96 | 161 | 81 | 173 | 87 | 186 | 93 |
| 102 | 12 | 46 | 63 | 48 | 64 | 49 | 65 |
| 102 | 14 | 48 | 66 | 51 | 67 | 52 | 68 |
| 102 | 16 | 52 | 66 | 53 | 67 | 56 | 68 |
| 102 | 18 | 54 | 67 | 56 | 68 | 59 | 69 |
| 102 | 20 | 57 | 67 | 60 | 68 | 62 | 70 |
| 102 | 24 | 62 | 69 | 65 | 70 | 68 | 72 |
| 102 | 27 | 68 | 70 | 72 | 71 | 76 | 73 |
| 102 | 30 | 71 | 70 | 75 | 72 | 79 | 74 |
| 102 | 33 | 73 | 70 | 77 | 72 | 82 | 74 |
| 102 | 36 | 79 | 71 | 84 | 73 | 88 | 75 |
| 102 | 42 | 90 | 74 | 96 | 77 | 101 | 80 |
| 102 | 48 | 96 | 75 | 102 | 78 | 108 | 81 |
| 102 | 54 | 106 | 76 | 113 | 80 | 120 | 83 |
| 102 | 60 | 112 | 77 | 120 | 81 | 128 | 85 |
| 102 | 64 | 117 | 77 | 125 | 82 | 134 | 86 |
| 102 | 66 | 123 | 78 | 132 | 82 | 140 | 87 |
| 102 | 72 | 128 | 79 | 137 | 83 | 147 | 88 |
| 102 | 74 | 133 | 79 | 144 | 84 | 153 | 89 |

| | | | | |
|---|-------------|----------------------|------------|----------|
|  <p>FUTURE PIPE INDUSTRIES Complete Pipe System Solutions</p> | Checked : | | Approved : | |
| | Prepared | JK | Date : | 26-10-05 |
| | Drawing No. | FS-STD-FITT-INCH- 16 | | Rev. 0 |


This document contains confidential and proprietary information of Future Pipe Industries. No reproduction or disclosure of any part hereof to third parties or use hereof is allowed without authorization in writing. All rights are vested in Future Pipe Industries

FRP Tee - SP/SP-SP

Fiberstrong® Product Data
Applicable Series : PCN/VCN



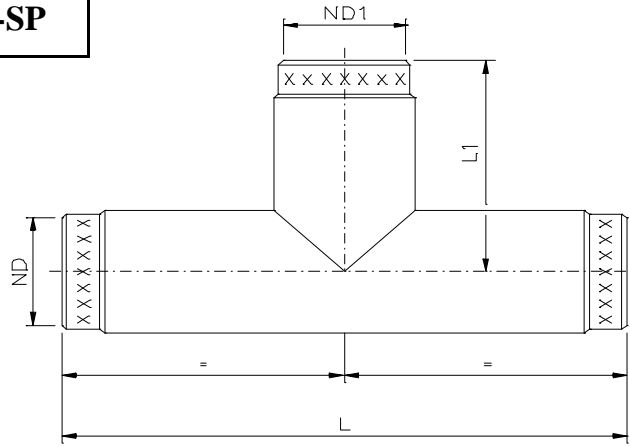
| ND Inch | ND1 Inch | 50 Psig | | 100 Psig | | 150 Psig | |
|------------|-------------|-----------|------------|-----------|------------|-----------|------------|
| | | L Inch | L1 Inch | L Inch | L1 Inch | L Inch | L1 Inch |
| 102 | 78 | 139 | 82 | 149 | 87 | 160 | 92 |
| 102 | 82 | 144 | 83 | 156 | 88 | 166 | 94 |
| 102 | 86 | 150 | 83 | 161 | 89 | 173 | 95 |
| 102 | 90 | 156 | 84 | 168 | 90 | 180 | 96 |
| 102 | 96 | 161 | 85 | 173 | 91 | 186 | 97 |
| 102 | 102 | 172 | 86 | 185 | 93 | 199 | 99 |
| 102 | 12 | 46 | 63 | 48 | 64 | 49 | 65 |
| 102 | 14 | 48 | 66 | 51 | 67 | 52 | 68 |
| 102 | 16 | 52 | 66 | 53 | 67 | 56 | 68 |
| 102 | 18 | 54 | 67 | 56 | 68 | 59 | 69 |
| 102 | 20 | 57 | 67 | 60 | 68 | 62 | 70 |
| 102 | 24 | 62 | 69 | 65 | 70 | 68 | 72 |
| 102 | 27 | 68 | 70 | 72 | 71 | 76 | 73 |
| 102 | 30 | 71 | 70 | 75 | 72 | 79 | 74 |
| 102 | 33 | 73 | 70 | 77 | 72 | 82 | 74 |
| 102 | 36 | 79 | 71 | 84 | 73 | 88 | 75 |
| 102 | 42 | 90 | 74 | 96 | 77 | 101 | 80 |
| 102 | 48 | 96 | 75 | 102 | 78 | 108 | 81 |
| 102 | 54 | 106 | 76 | 113 | 80 | 120 | 83 |
| 102 | 60 | 112 | 77 | 120 | 81 | 128 | 85 |
| 102 | 64 | 117 | 77 | 125 | 82 | 134 | 86 |
| 102 | 66 | 123 | 78 | 132 | 82 | 140 | 87 |
| 102 | 72 | 128 | 79 | 137 | 83 | 147 | 88 |
| 102 | 74 | 133 | 79 | 144 | 84 | 153 | 89 |
| 102 | 78 | 139 | 82 | 149 | 87 | 160 | 92 |
| 102 | 82 | 144 | 83 | 156 | 88 | 166 | 94 |
| 102 | 86 | 150 | 83 | 161 | 89 | 173 | 95 |
| 102 | 90 | 156 | 84 | 168 | 90 | 180 | 96 |
| 102 | 96 | 161 | 85 | 173 | 91 | 186 | 97 |
| 102 | 102 | 172 | 86 | 185 | 93 | 199 | 99 |

| | | | | |
|---|-------------|----------------------|------------|----------|
|  <p>FUTURE PIPE INDUSTRIES Complete Pipe System Solutions</p> | Checked : | | Approved : | |
| | Prepared | JK | Date : | 26-10-05 |
| | Drawing No. | FS-STD-FITT-INCH- 17 | | Rev. 0 |


This document contains confidential and proprietary information of Future Pipe Industries. No reproduction or disclosure of any part hereof to third parties or use hereof is allowed without authorization in writing. All rights are vested in Future Pipe Industries

FRP Tee - SP/SP-SP

Fiberstrong® Product Data
Applicable Series : PCN/VCN



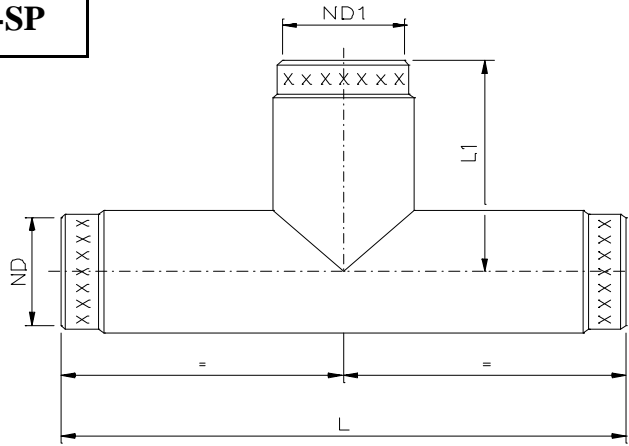
| ND Inch | ND1 Inch | 50 Psig | | 100 Psig | | 150 Psig | |
|------------|-------------|-----------|------------|-----------|------------|-----------|------------|
| | | L Inch | L1 Inch | L Inch | L1 Inch | L Inch | L1 Inch |
| 106 | 12 | 46 | 65 | 48 | 66 | 49 | 67 |
| 106 | 14 | 48 | 68 | 51 | 69 | 52 | 70 |
| 106 | 16 | 52 | 69 | 53 | 70 | 56 | 71 |
| 106 | 18 | 54 | 69 | 56 | 70 | 59 | 71 |
| 106 | 20 | 57 | 69 | 60 | 70 | 62 | 72 |
| 106 | 24 | 62 | 71 | 65 | 73 | 68 | 74 |
| 106 | 27 | 68 | 72 | 72 | 74 | 76 | 75 |
| 106 | 30 | 71 | 72 | 75 | 74 | 79 | 76 |
| 106 | 33 | 73 | 72 | 77 | 74 | 82 | 77 |
| 106 | 36 | 79 | 73 | 84 | 75 | 88 | 78 |
| 106 | 42 | 90 | 76 | 96 | 79 | 101 | 82 |
| 106 | 48 | 96 | 77 | 102 | 80 | 108 | 83 |
| 106 | 54 | 106 | 78 | 113 | 82 | 120 | 86 |
| 106 | 60 | 112 | 79 | 120 | 83 | 128 | 87 |
| 106 | 64 | 117 | 80 | 125 | 84 | 134 | 88 |
| 106 | 66 | 123 | 80 | 132 | 85 | 140 | 89 |
| 106 | 72 | 128 | 81 | 137 | 86 | 147 | 90 |
| 106 | 74 | 133 | 82 | 144 | 87 | 153 | 91 |
| 106 | 78 | 139 | 84 | 149 | 89 | 160 | 95 |
| 106 | 82 | 144 | 85 | 156 | 90 | 166 | 96 |
| 106 | 86 | 150 | 86 | 161 | 91 | 173 | 97 |
| 106 | 90 | 156 | 86 | 168 | 92 | 180 | 98 |
| 106 | 96 | 161 | 87 | 173 | 93 | 186 | 99 |
| 106 | 102 | 172 | 88 | 185 | 95 | 199 | 102 |
| 106 | 102 | 172 | 88 | 185 | 95 | 199 | 102 |
| 106 | 106 | 177 | 89 | 192 | 96 | 205 | 103 |
| 110 | 12 | 46 | 67 | 48 | 68 | 49 | 69 |
| 110 | 14 | 48 | 70 | 51 | 71 | 52 | 72 |
| 110 | 16 | 52 | 71 | 53 | 72 | 56 | 73 |
| 110 | 18 | 54 | 71 | 56 | 72 | 59 | 73 |
| 110 | 20 | 57 | 71 | 60 | 72 | 62 | 74 |

| | | | | |
|---|-------------|----------------------|------------|----------|
|  <p>FUTURE PIPE INDUSTRIES Complete Pipe System Solutions</p> | Checked : | | Approved : | |
| | Prepared | JK | Date : | 26-10-05 |
| | Drawing No. | FS-STD-FITT-INCH- 18 | | Rev. 0 |


This document contains confidential and proprietary information of Future Pipe Industries. No reproduction or disclosure of any part hereof to third parties or use hereof is allowed without authorization in writing. All rights are vested in Future Pipe Industries

FRP Tee - SP/SP-SP

Fiberstrong® Product Data
Applicable Series : PCN/VCN



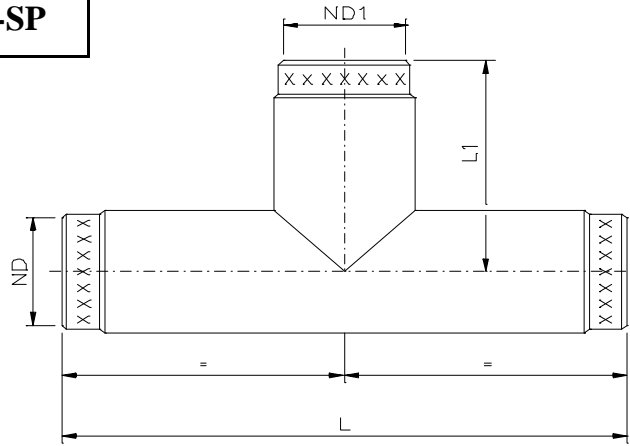
| ND Inch | ND1 Inch | 50 Psig | | 100 Psig | | 150 Psig | |
|------------|-------------|-----------|------------|-----------|------------|-----------|------------|
| | | L Inch | L1 Inch | L Inch | L1 Inch | L Inch | L1 Inch |
| 110 | 27 | 68 | 74 | 72 | 76 | 76 | 77 |
| 110 | 30 | 71 | 74 | 75 | 76 | 79 | 78 |
| 110 | 33 | 73 | 74 | 77 | 76 | 82 | 79 |
| 110 | 36 | 79 | 75 | 84 | 77 | 88 | 80 |
| 110 | 42 | 90 | 78 | 96 | 81 | 101 | 84 |
| 110 | 48 | 96 | 79 | 102 | 82 | 108 | 85 |
| 110 | 54 | 106 | 80 | 113 | 84 | 120 | 88 |
| 110 | 60 | 112 | 81 | 120 | 85 | 128 | 89 |
| 110 | 64 | 117 | 82 | 125 | 86 | 134 | 90 |
| 110 | 66 | 123 | 82 | 132 | 87 | 140 | 91 |
| 110 | 72 | 128 | 83 | 137 | 88 | 147 | 92 |
| 110 | 74 | 133 | 84 | 144 | 89 | 153 | 93 |
| 110 | 78 | 139 | 86 | 149 | 91 | 160 | 97 |
| 110 | 82 | 144 | 87 | 156 | 92 | 166 | 98 |
| 110 | 86 | 150 | 88 | 161 | 93 | 173 | 99 |
| 110 | 90 | 156 | 88 | 168 | 94 | 180 | 100 |
| 110 | 96 | 161 | 89 | 173 | 95 | 186 | 101 |
| 110 | 102 | 172 | 90 | 185 | 97 | 199 | 104 |
| 110 | 102 | 172 | 90 | 185 | 97 | 199 | 104 |
| 110 | 106 | 177 | 91 | 192 | 98 | 205 | 105 |
| 110 | 110 | 183 | 92 | 197 | 99 | 212 | 106 |
| 114 | 12 | 48 | 69 | 49 | 70 | 51 | 71 |
| 114 | 14 | 50 | 72 | 52 | 73 | 54 | 74 |
| 114 | 16 | 53 | 73 | 55 | 74 | 57 | 75 |
| 114 | 18 | 56 | 73 | 58 | 74 | 60 | 75 |
| 114 | 20 | 59 | 73 | 61 | 74 | 64 | 76 |
| 114 | 24 | 64 | 75 | 67 | 77 | 70 | 78 |
| 114 | 27 | 70 | 76 | 73 | 78 | 77 | 79 |
| 114 | 30 | 72 | 76 | 76 | 78 | 80 | 80 |
| 114 | 33 | 75 | 76 | 79 | 78 | 84 | 81 |

| | | | | |
|---|-------------|----------------------|------------|----------|
|  | Checked : | | Approved : | |
| | Prepared | JK | Date : | 26-10-05 |
| | Drawing No. | FS-STD-FITT-INCH- 19 | | Rev. 0 |


This document contains confidential and proprietary information of Future Pipe Industries. No reproduction or disclosure of any part hereof to third parties or use hereof is allowed without authorization in writing. All rights are vested in Future Pipe Industries

FRP Tee - SP/SP-SP

Fiberstrong® Product Data
Applicable Series : PCN/VCN



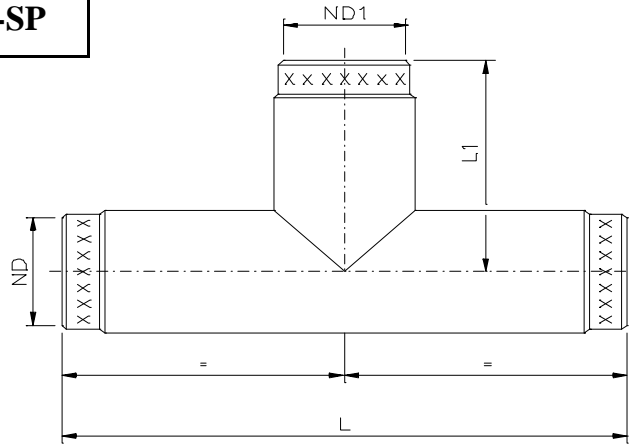
| ND Inch | ND1 Inch | 50 Psig | | 100 Psig | | 150 Psig | |
|------------|-------------|-----------|------------|-----------|------------|-----------|------------|
| | | L Inch | L1 Inch | L Inch | L1 Inch | L Inch | L1 Inch |
| 114 | 36 | 80 | 77 | 85 | 79 | 89 | 82 |
| 114 | 42 | 92 | 80 | 97 | 83 | 103 | 86 |
| 114 | 48 | 97 | 81 | 104 | 84 | 109 | 87 |
| 114 | 54 | 108 | 82 | 115 | 86 | 122 | 90 |
| 114 | 60 | 113 | 83 | 121 | 87 | 129 | 91 |
| 114 | 64 | 119 | 84 | 127 | 88 | 136 | 92 |
| 114 | 66 | 124 | 84 | 133 | 89 | 142 | 93 |
| 114 | 72 | 130 | 85 | 139 | 90 | 148 | 94 |
| 114 | 74 | 135 | 86 | 145 | 91 | 155 | 95 |
| 114 | 78 | 140 | 88 | 151 | 93 | 161 | 99 |
| 114 | 82 | 146 | 89 | 157 | 94 | 168 | 100 |
| 114 | 86 | 152 | 90 | 163 | 95 | 175 | 101 |
| 114 | 90 | 157 | 90 | 169 | 96 | 181 | 102 |
| 114 | 96 | 163 | 91 | 175 | 97 | 188 | 103 |
| 114 | 102 | 173 | 92 | 187 | 99 | 200 | 106 |
| 114 | 106 | 179 | 93 | 193 | 100 | 207 | 107 |
| 114 | 110 | 184 | 94 | 199 | 101 | 213 | 108 |
| 114 | 114 | 190 | 95 | 204 | 102 | 220 | 110 |
| 120 | 12 | 48 | 71 | 49 | 72 | 51 | 73 |
| 120 | 14 | 50 | 74 | 52 | 75 | 54 | 76 |
| 120 | 16 | 53 | 75 | 55 | 76 | 57 | 77 |
| 120 | 18 | 56 | 75 | 58 | 76 | 60 | 77 |
| 120 | 20 | 59 | 75 | 61 | 77 | 64 | 78 |
| 120 | 24 | 64 | 77 | 67 | 79 | 70 | 80 |
| 120 | 27 | 70 | 78 | 73 | 80 | 77 | 82 |
| 120 | 30 | 72 | 78 | 76 | 80 | 80 | 82 |

| | | | | |
|---|-------------|----------------------|------------|----------|
|  | Checked : | | Approved : | |
| | Prepared | JK | Date : | 26-10-05 |
| | Drawing No. | FS-STD-FITT-INCH- 20 | | Rev. 0 |


This document contains confidential and proprietary information of Future Pipe Industries. No reproduction or disclosure of any part hereof to third parties or use hereof is allowed without authorization in writing. All rights are vested in Future Pipe Industries

FRP Tee - SP/SP-SP

Fiberstrong® Product Data
Applicable Series : PCN/VCN



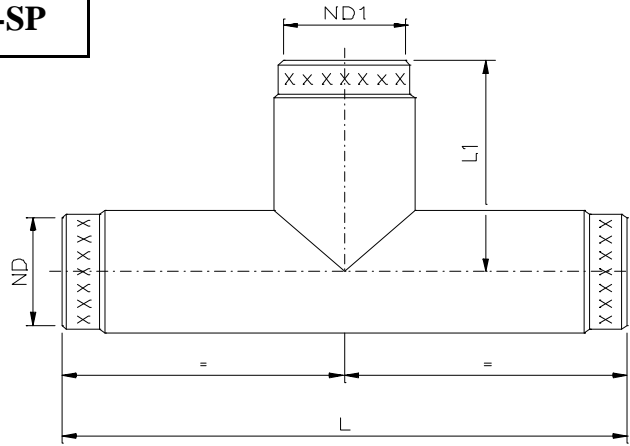
| ND Inch | ND1 Inch | 50 Psig | | 100 Psig | |
|------------|-------------|-----------|------------|-----------|------------|
| | | L Inch | L1 Inch | L Inch | L1 Inch |
| 120 | 33 | 75 | 79 | 79 | 81 |
| 120 | 36 | 80 | 79 | 85 | 82 |
| 120 | 42 | 92 | 83 | 97 | 85 |
| 120 | 48 | 97 | 83 | 104 | 86 |
| 120 | 54 | 108 | 85 | 115 | 88 |
| 120 | 60 | 113 | 85 | 121 | 89 |
| 120 | 64 | 119 | 86 | 127 | 90 |
| 120 | 66 | 124 | 86 | 133 | 91 |
| 120 | 72 | 130 | 87 | 139 | 92 |
| 120 | 74 | 135 | 88 | 145 | 93 |
| 120 | 78 | 140 | 90 | 151 | 96 |
| 120 | 82 | 146 | 91 | 157 | 97 |
| 120 | 86 | 152 | 92 | 163 | 97 |
| 120 | 90 | 157 | 92 | 169 | 98 |
| 120 | 96 | 163 | 93 | 175 | 99 |
| 120 | 102 | 173 | 94 | 187 | 101 |
| 120 | 102 | 173 | 94 | 187 | 101 |
| 120 | 106 | 179 | 95 | 193 | 102 |
| 120 | 110 | 184 | 96 | 199 | 103 |
| 120 | 114 | 190 | 97 | 204 | 105 |
| 120 | 120 | 196 | 98 | 211 | 106 |
| 126 | 12 | 48 | 75 | 49 | 76 |
| 126 | 14 | 50 | 79 | 52 | 80 |
| 126 | 16 | 53 | 79 | 55 | 80 |
| 126 | 18 | 56 | 79 | 58 | 80 |
| 126 | 20 | 59 | 80 | 61 | 81 |
| 126 | 24 | 64 | 81 | 67 | 83 |

| | | | | |
|---|-------------|----------------------|------------|----------|
|  <p>FUTURE PIPE INDUSTRIES Complete Pipe System Solutions</p> | Checked : | | Approved : | |
| | Prepared | JK | Date : | 26-10-05 |
| | Drawing No. | FS-STD-FITT-INCH- 21 | | Rev. 0 |


This document contains confidential and proprietary information of Future Pipe Industries. No reproduction or disclosure of any part hereof to third parties or use hereof is allowed without authorization in writing. All rights are vested in Future Pipe Industries

FRP Tee - SP/SP-SP

Fiberstrong® Product Data
Applicable Series : PCN/VCN



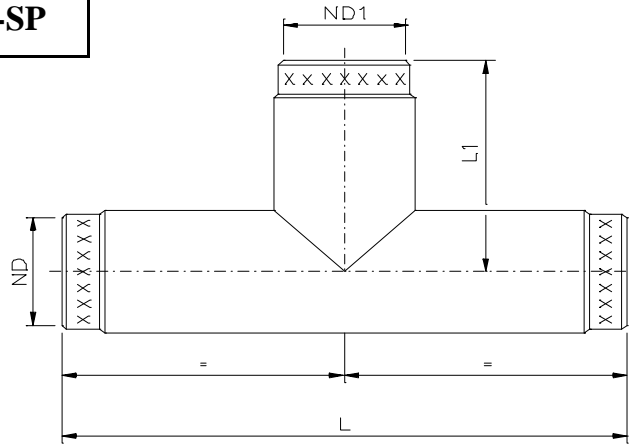
| ND Inch | ND1 Inch | 50 Psig | | 100 Psig | |
|------------|-------------|-----------|------------|-----------|------------|
| | | L Inch | L1 Inch | L Inch | L1 Inch |
| 126 | 27 | 70 | 82 | 73 | 84 |
| 126 | 30 | 72 | 82 | 76 | 84 |
| 126 | 33 | 75 | 83 | 79 | 85 |
| 126 | 36 | 80 | 83 | 85 | 86 |
| 126 | 42 | 92 | 87 | 97 | 90 |
| 126 | 48 | 97 | 87 | 104 | 91 |
| 126 | 54 | 108 | 89 | 115 | 92 |
| 126 | 60 | 113 | 89 | 121 | 93 |
| 126 | 64 | 119 | 90 | 127 | 94 |
| 126 | 66 | 124 | 91 | 133 | 95 |
| 126 | 72 | 130 | 91 | 139 | 96 |
| 126 | 74 | 135 | 92 | 145 | 97 |
| 126 | 78 | 140 | 95 | 151 | 100 |
| 126 | 82 | 146 | 95 | 157 | 101 |
| 126 | 86 | 152 | 96 | 163 | 102 |
| 126 | 90 | 157 | 97 | 169 | 103 |
| 126 | 96 | 163 | 97 | 175 | 104 |
| 126 | 102 | 173 | 99 | 187 | 105 |
| 126 | 102 | 173 | 99 | 187 | 105 |
| 126 | 106 | 179 | 99 | 193 | 106 |
| 126 | 110 | 184 | 100 | 199 | 107 |
| 126 | 114 | 64 | 83 | 67 | 85 |
| 126 | 120 | 70 | 84 | 73 | 86 |
| 126 | 126 | 75 | 85 | 79 | 87 |
| 126 | 12 | 48 | 75 | 49 | 76 |
| 126 | 14 | 50 | 79 | 52 | 80 |
| 126 | 16 | 53 | 79 | 55 | 80 |
| 126 | 18 | 56 | 79 | 58 | 80 |

| | | | | |
|---|-------------|----------------------|------------|----------|
|  <p>FUTURE PIPE INDUSTRIES Complete Pipe System Solutions</p> | Checked : | | Approved : | |
| | Prepared | JK | Date : | 26-10-05 |
| | Drawing No. | FS-STD-FITT-INCH- 22 | | Rev. 0 |


This document contains confidential and proprietary information of Future Pipe Industries. No reproduction or disclosure of any part hereof to third parties or use hereof is allowed without authorization in writing. All rights are vested in Future Pipe Industries

FRP Tee - SP/SP-SP

Fiberstrong® Product Data
Applicable Series : PCN/VCN



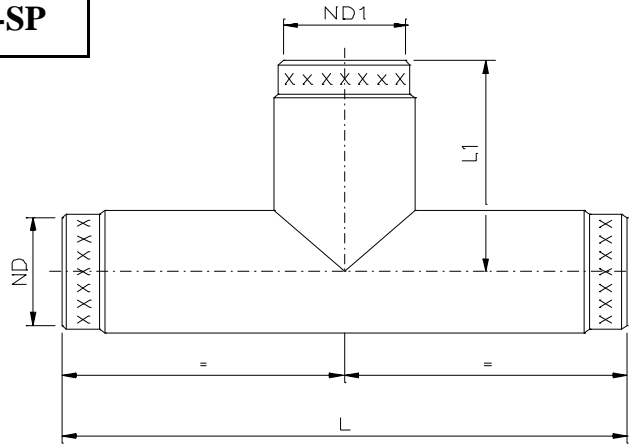
| ND Inch | ND1 Inch | 50 Psig | | 100 Psig | |
|------------|-------------|-----------|------------|-----------|------------|
| | | L Inch | L1 Inch | L Inch | L1 Inch |
| 126 | 20 | 59 | 80 | 61 | 81 |
| 126 | 24 | 64 | 81 | 67 | 83 |
| 126 | 27 | 70 | 82 | 73 | 84 |
| 126 | 30 | 72 | 82 | 76 | 84 |
| 126 | 33 | 75 | 83 | 79 | 85 |
| 126 | 36 | 80 | 83 | 85 | 86 |
| 126 | 42 | 92 | 87 | 97 | 90 |
| 126 | 48 | 97 | 87 | 104 | 91 |
| 126 | 54 | 108 | 89 | 115 | 92 |
| 126 | 60 | 113 | 89 | 121 | 93 |
| 126 | 64 | 119 | 90 | 127 | 94 |
| 126 | 66 | 124 | 91 | 133 | 95 |
| 126 | 72 | 130 | 91 | 139 | 96 |
| 126 | 74 | 135 | 92 | 145 | 97 |
| 126 | 78 | 140 | 95 | 151 | 100 |
| 126 | 82 | 146 | 95 | 157 | 101 |
| 126 | 86 | 152 | 96 | 163 | 102 |
| 126 | 90 | 157 | 97 | 169 | 103 |
| 126 | 96 | 163 | 97 | 175 | 104 |
| 126 | 102 | 173 | 99 | 187 | 105 |
| 126 | 102 | 173 | 99 | 187 | 105 |
| 126 | 106 | 179 | 99 | 193 | 106 |
| 126 | 110 | 184 | 100 | 199 | 107 |
| 126 | 114 | 64 | 83 | 67 | 85 |
| 126 | 120 | 70 | 84 | 73 | 86 |
| 126 | 126 | 75 | 85 | 79 | 87 |
| 126 | 126 | 75 | 85 | 79 | 87 |
| 130 | 12 | 86 | 88 | 91 | 91 |
| 130 | 14 | 92 | 89 | 97 | 92 |
| 130 | 16 | 97 | 89 | 104 | 93 |
| 130 | 18 | 102 | 90 | 109 | 93 |
| 130 | 20 | 108 | 91 | 115 | 94 |

| | | | | |
|---|-------------|----------------------|------------|----------|
|  <p>FUTURE PIPE INDUSTRIES Complete Pipe System Solutions</p> | Checked : | | Approved : | |
| | Prepared | JK | Date : | 26-10-05 |
| | Drawing No. | FS-STD-FITT-INCH- 23 | | Rev. 0 |


This document contains confidential and proprietary information of Future Pipe Industries. No reproduction or disclosure of any part hereof to third parties or use hereof is allowed without authorization in writing. All rights are vested in Future Pipe Industries

FRP Tee - SP/SP-SP

Fiberstrong® Product Data
Applicable Series : PCN/VCN



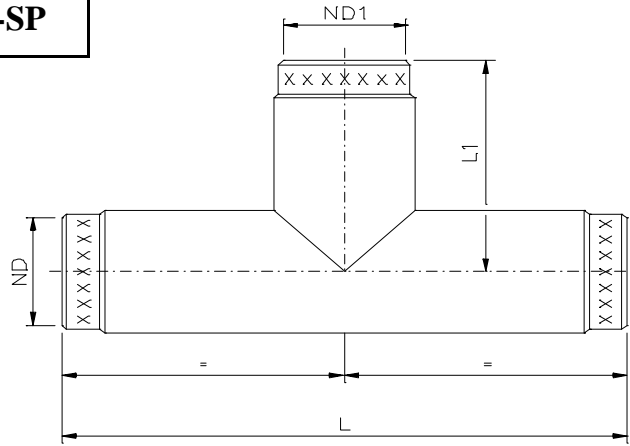
| ND Inch | ND1 Inch | 50 Psig | | 100 Psig | |
|------------|-------------|-----------|------------|-----------|------------|
| | | L Inch | L1 Inch | L Inch | L1 Inch |
| 130 | 24 | 64 | 83 | 67 | 85 |
| 130 | 27 | 70 | 84 | 73 | 86 |
| 130 | 30 | 72 | 84 | 76 | 86 |
| 130 | 33 | 75 | 85 | 79 | 87 |
| 130 | 36 | 80 | 85 | 85 | 88 |
| 130 | 42 | 92 | 89 | 97 | 92 |
| 130 | 48 | 97 | 89 | 104 | 93 |
| 130 | 54 | 108 | 91 | 115 | 94 |
| 130 | 60 | 113 | 91 | 121 | 95 |
| 130 | 64 | 119 | 92 | 127 | 96 |
| 130 | 66 | 124 | 93 | 133 | 97 |
| 130 | 72 | 130 | 93 | 139 | 98 |
| 130 | 74 | 135 | 94 | 145 | 99 |
| 130 | 78 | 140 | 97 | 151 | 102 |
| 130 | 82 | 146 | 97 | 157 | 103 |
| 130 | 86 | 152 | 98 | 163 | 104 |
| 130 | 90 | 157 | 99 | 169 | 105 |
| 130 | 96 | 163 | 99 | 175 | 106 |
| 130 | 102 | 173 | 101 | 187 | 107 |
| 130 | 102 | 173 | 101 | 187 | 107 |
| 130 | 106 | 179 | 101 | 193 | 108 |
| 130 | 110 | 184 | 102 | 199 | 109 |
| 130 | 114 | 190 | 103 | 204 | 111 |
| 130 | 120 | 196 | 104 | 211 | 112 |
| 130 | 126 | 207 | 105 | 223 | 114 |
| 130 | 126 | 207 | 105 | 223 | 114 |
| 130 | 130 | 212 | 106 | 229 | 115 |
| 132 | 12 | 48 | 80 | 49 | 80 |
| 132 | 14 | 50 | 83 | 52 | 84 |
| 132 | 16 | 53 | 83 | 55 | 84 |
| 132 | 18 | 56 | 83 | 58 | 84 |

| | | | | |
|---|-------------|----------------------|------------|----------|
|  | Checked : | | Approved : | |
| | Prepared | JK | Date : | 26-10-05 |
| | Drawing No. | FS-STD-FITT-INCH- 24 | | Rev. 0 |


This document contains confidential and proprietary information of Future Pipe Industries. No reproduction or disclosure of any part hereof to third parties or use hereof is allowed without authorization in writing. All rights are vested in Future Pipe Industries

FRP Tee - SP/SP-SP

Fiberstrong® Product Data
Applicable Series : PCN/VCN



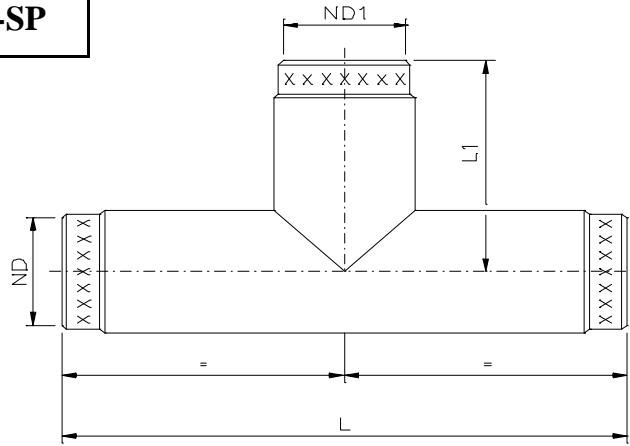
| ND Inch | ND1 Inch | 50 Psig | | 100 Psig | |
|------------|-------------|-----------|------------|-----------|------------|
| | | L Inch | L1 Inch | L Inch | L1 Inch |
| 132 | 20 | 59 | 84 | 61 | 85 |
| 132 | 24 | 64 | 85 | 67 | 87 |
| 132 | 27 | 70 | 86 | 73 | 88 |
| 132 | 30 | 72 | 86 | 76 | 88 |
| 132 | 33 | 75 | 87 | 79 | 89 |
| 132 | 36 | 80 | 87 | 85 | 90 |
| 132 | 42 | 92 | 91 | 97 | 94 |
| 132 | 48 | 97 | 91 | 104 | 95 |
| 132 | 54 | 108 | 93 | 115 | 96 |
| 132 | 60 | 113 | 93 | 121 | 97 |
| 132 | 64 | 119 | 94 | 127 | 98 |
| 132 | 66 | 124 | 95 | 133 | 99 |
| 132 | 72 | 130 | 95 | 139 | 100 |
| 132 | 74 | 135 | 96 | 145 | 101 |
| 132 | 78 | 140 | 99 | 151 | 104 |
| 132 | 82 | 146 | 99 | 157 | 105 |
| 132 | 86 | 152 | 100 | 163 | 106 |
| 132 | 90 | 157 | 101 | 169 | 107 |
| 132 | 96 | 163 | 101 | 175 | 108 |
| 132 | 102 | 173 | 103 | 187 | 109 |
| 132 | 102 | 173 | 103 | 187 | 109 |
| 132 | 106 | 179 | 103 | 193 | 110 |
| 132 | 110 | 184 | 104 | 199 | 111 |
| 132 | 114 | 190 | 105 | 204 | 113 |
| 138 | 12 | 48 | 82 | 49 | 82 |
| 138 | 14 | 50 | 85 | 52 | 86 |
| 138 | 16 | 53 | 85 | 55 | 86 |
| 138 | 18 | 56 | 85 | 58 | 87 |
| 138 | 20 | 59 | 86 | 61 | 87 |
| 138 | 24 | 64 | 88 | 67 | 89 |

| | | | | |
|---|-------------|----------------------|------------|----------|
|  <p>FUTURE PIPE INDUSTRIES Complete Pipe System Solutions</p> | Checked : | | Approved : | |
| | Prepared | JK | Date : | 26-10-05 |
| | Drawing No. | FS-STD-FITT-INCH- 25 | | Rev. 0 |


This document contains confidential and proprietary information of Future Pipe Industries. No reproduction or disclosure of any part hereof to third parties or use hereof is allowed without authorization in writing. All rights are vested in Future Pipe Industries

FRP Tee - SP/SP-SP

Fiberstrong® Product Data
Applicable Series : PCN/VCN



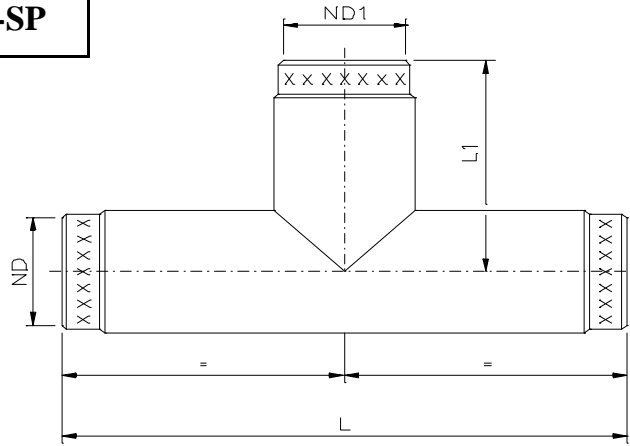
| ND Inch | ND1 Inch | 50 Psig | | 100 Psig | |
|------------|-------------|-----------|------------|-----------|------------|
| | | L Inch | L1 Inch | L Inch | L1 Inch |
| 138 | 27 | 70 | 88 | 73 | 90 |
| 138 | 30 | 72 | 89 | 76 | 91 |
| 138 | 33 | 75 | 89 | 79 | 91 |
| 138 | 36 | 80 | 90 | 85 | 92 |
| 138 | 42 | 92 | 93 | 97 | 96 |
| 138 | 48 | 97 | 94 | 104 | 97 |
| 138 | 54 | 108 | 95 | 115 | 99 |
| 138 | 60 | 113 | 96 | 121 | 99 |
| 138 | 64 | 119 | 96 | 127 | 100 |
| 138 | 66 | 124 | 97 | 133 | 101 |
| 138 | 72 | 130 | 98 | 139 | 102 |
| 138 | 74 | 135 | 98 | 145 | 103 |
| 138 | 78 | 140 | 101 | 151 | 106 |
| 138 | 82 | 146 | 102 | 157 | 107 |
| 138 | 86 | 152 | 102 | 163 | 108 |
| 138 | 90 | 157 | 103 | 169 | 109 |
| 138 | 96 | 163 | 104 | 175 | 110 |
| 138 | 102 | 173 | 105 | 187 | 112 |
| 138 | 102 | 173 | 105 | 187 | 112 |
| 138 | 106 | 179 | 105 | 193 | 112 |
| 138 | 110 | 184 | 106 | 199 | 113 |
| 138 | 114 | 190 | 108 | 204 | 115 |
| 138 | 120 | 196 | 108 | 211 | 116 |
| 138 | 126 | 207 | 110 | 223 | 118 |
| 138 | 126 | 207 | 110 | 223 | 118 |
| 138 | 130 | 212 | 110 | 229 | 119 |
| 138 | 132 | 217 | 111 | 235 | 120 |
| 138 | 138 | 223 | 112 | 241 | 121 |

| | | | | |
|---|-------------|----------------------|------------|----------|
|  <p>FUTURE PIPE INDUSTRIES Complete Pipe System Solutions</p> | Checked : | | Approved : | |
| | Prepared | JK | Date : | 26-10-05 |
| | Drawing No. | FS-STD-FITT-INCH- 26 | | Rev. 0 |


This document contains confidential and proprietary information of Future Pipe Industries. No reproduction or disclosure of any part hereof to third parties or use hereof is allowed without authorization in writing. All rights are vested in Future Pipe Industries

FRP Tee - SP/SP-SP

Fiberstrong® Product Data
Applicable Series : PCN/VCN

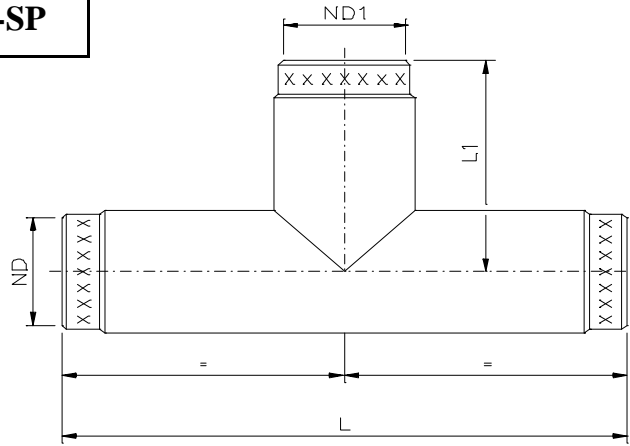


| ND Inch | ND1 Inch | 50 Psig | | 100 Psig | |
|------------|-------------|-----------|------------|-----------|------------|
| | | L Inch | L1 Inch | L Inch | L1 Inch |
| 144 | 12 | 48 | 86 | 49 | 87 |
| 144 | 14 | 50 | 89 | 52 | 90 |
| 144 | 16 | 53 | 89 | 55 | 90 |
| 144 | 18 | 56 | 90 | 58 | 91 |
| 144 | 20 | 59 | 90 | 61 | 91 |
| 144 | 24 | 64 | 92 | 67 | 93 |
| 144 | 27 | 70 | 93 | 73 | 94 |
| 144 | 30 | 72 | 93 | 76 | 95 |
| 144 | 33 | 75 | 93 | 79 | 95 |
| 144 | 36 | 80 | 94 | 85 | 96 |
| 144 | 42 | 92 | 97 | 97 | 100 |
| 144 | 48 | 97 | 98 | 104 | 101 |
| 144 | 54 | 108 | 99 | 115 | 103 |
| 144 | 60 | 113 | 100 | 121 | 104 |
| 144 | 64 | 119 | 100 | 127 | 105 |
| 144 | 66 | 124 | 101 | 133 | 105 |
| 144 | 72 | 130 | 102 | 139 | 106 |
| 144 | 74 | 135 | 102 | 145 | 107 |
| 144 | 78 | 140 | 105 | 151 | 110 |
| 144 | 82 | 146 | 106 | 157 | 111 |
| 144 | 86 | 152 | 106 | 163 | 112 |
| 144 | 90 | 157 | 107 | 169 | 113 |
| 144 | 96 | 163 | 108 | 175 | 114 |
| 144 | 102 | 173 | 109 | 187 | 116 |
| 144 | 102 | 173 | 109 | 187 | 116 |
| 144 | 106 | 179 | 110 | 193 | 117 |
| 144 | 110 | 184 | 110 | 199 | 118 |
| 144 | 114 | 190 | 112 | 204 | 119 |
| 144 | 120 | 196 | 112 | 211 | 120 |
| 144 | 126 | 207 | 114 | 223 | 122 |
| 144 | 126 | 207 | 114 | 223 | 122 |
| 144 | 130 | 212 | 114 | 229 | 123 |


| | | | | |
|--|-------------|----------------------|------------|----------|
|  <p>FUTURE PIPE INDUSTRIES Complete Pipe System Solutions</p> | Checked : | | Approved : | |
| | Prepared | JK | Date : | 26-10-05 |
| | Drawing No. | FS-STD-FITT-INCH- 27 | | Rev. 0 |
| <p>This document contains confidential and proprietary information of Future Pipe Industries. No reproduction or disclosure of any part hereof to third parties or use hereof is allowed without authorization in writing. All rights are vested in Future Pipe Industries</p> | | | | |

FRP Tee - SP/SP-SP

Fiberstrong® Product Data
Applicable Series : PCN/VCN



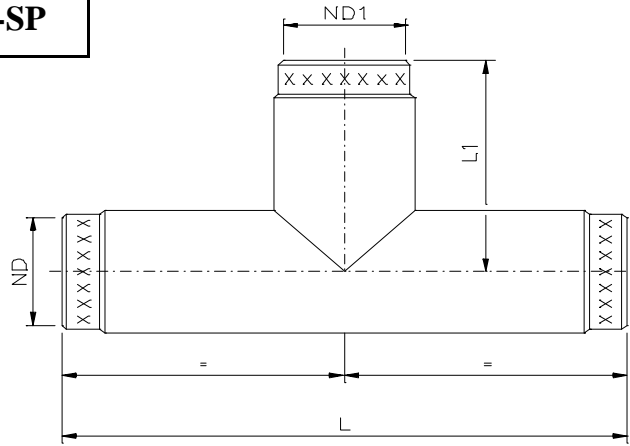
| ND Inch | ND1 Inch | 50 Psig | | 100 Psig | |
|------------|-------------|-----------|------------|-----------|------------|
| | | L Inch | L1 Inch | L Inch | L1 Inch |
| 144 | 132 | 217 | 115 | 235 | 124 |
| 144 | 138 | 223 | 116 | 241 | 125 |
| 144 | 144 | 234 | 117 | 253 | 127 |
| 150 | 12 | 48 | 88 | 49 | 89 |
| 150 | 14 | 50 | 91 | 52 | 92 |
| 150 | 16 | 53 | 91 | 55 | 92 |
| 150 | 18 | 56 | 92 | 58 | 93 |
| 150 | 20 | 59 | 92 | 61 | 93 |
| 150 | 24 | 64 | 94 | 67 | 95 |
| 150 | 27 | 70 | 95 | 73 | 96 |
| 150 | 30 | 72 | 95 | 76 | 97 |
| 150 | 33 | 75 | 95 | 79 | 97 |
| 150 | 36 | 80 | 96 | 85 | 98 |
| 150 | 42 | 92 | 99 | 97 | 102 |
| 150 | 48 | 97 | 100 | 104 | 103 |
| 150 | 54 | 108 | 101 | 115 | 105 |
| 150 | 60 | 113 | 102 | 121 | 106 |
| 150 | 64 | 119 | 102 | 127 | 107 |
| 150 | 66 | 124 | 103 | 133 | 107 |
| 150 | 72 | 130 | 104 | 139 | 108 |
| 150 | 74 | 135 | 104 | 145 | 109 |
| 150 | 78 | 140 | 107 | 151 | 112 |
| 150 | 82 | 146 | 108 | 157 | 113 |
| 150 | 86 | 152 | 108 | 163 | 114 |
| 150 | 90 | 157 | 109 | 169 | 115 |
| 150 | 96 | 163 | 110 | 175 | 116 |
| 150 | 102 | 173 | 111 | 187 | 118 |
| 150 | 102 | 173 | 111 | 187 | 118 |
| 150 | 106 | 179 | 112 | 193 | 119 |
| 150 | 110 | 184 | 112 | 199 | 120 |
| 150 | 114 | 190 | 114 | 204 | 121 |
| 150 | 120 | 196 | 114 | 211 | 122 |

| | | | | |
|---|-------------|----------------------|------------|----------|
|  <p>FUTURE PIPE INDUSTRIES Complete Pipe System Solutions</p> | Checked : | | Approved : | |
| | Prepared | JK | Date : | 26-10-05 |
| | Drawing No. | FS-STD-FITT-INCH- 28 | | Rev. 0 |


This document contains confidential and proprietary information of Future Pipe Industries. No reproduction or disclosure of any part hereof to third parties or use hereof is allowed without authorization in writing. All rights are vested in Future Pipe Industries

FRP Tee - SP/SP-SP

Fiberstrong® Product Data
Applicable Series : PCN/VCN



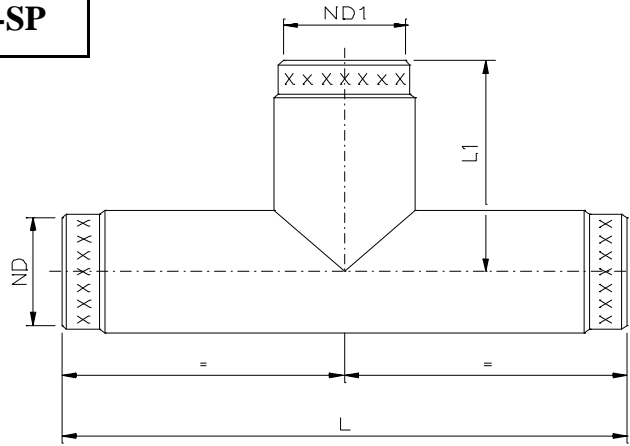
| ND Inch | ND1 Inch | 50 Psig | | 100 Psig | |
|------------|-------------|-----------|------------|-----------|------------|
| | | L Inch | L1 Inch | L Inch | L1 Inch |
| 150 | 122 | 201 | 115 | 217 | 123 |
| 150 | 126 | 207 | 116 | 223 | 124 |
| 150 | 130 | 212 | 116 | 229 | 125 |
| 150 | 132 | 217 | 117 | 235 | 126 |
| 150 | 138 | 223 | 118 | 241 | 127 |
| 150 | 144 | 234 | 119 | 253 | 129 |
| 150 | 150 | 240 | 120 | 259 | 130 |
| 150 | 12 | 48 | 88 | 49 | 89 |
| 150 | 14 | 50 | 91 | 52 | 92 |
| 150 | 16 | 53 | 91 | 55 | 92 |
| 150 | 18 | 56 | 92 | 58 | 93 |
| 150 | 20 | 59 | 92 | 61 | 93 |
| 150 | 24 | 64 | 94 | 67 | 95 |
| 150 | 27 | 70 | 95 | 73 | 96 |
| 150 | 30 | 72 | 95 | 76 | 97 |
| 150 | 33 | 75 | 95 | 79 | 97 |
| 150 | 36 | 80 | 96 | 85 | 98 |
| 150 | 42 | 92 | 99 | 97 | 102 |
| 150 | 48 | 97 | 100 | 104 | 103 |
| 150 | 54 | 108 | 101 | 115 | 105 |
| 150 | 60 | 113 | 102 | 121 | 106 |
| 150 | 64 | 119 | 102 | 127 | 107 |
| 150 | 66 | 124 | 103 | 133 | 107 |
| 150 | 72 | 130 | 104 | 139 | 108 |
| 150 | 74 | 135 | 104 | 145 | 109 |
| 150 | 78 | 140 | 107 | 151 | 112 |
| 150 | 82 | 146 | 108 | 157 | 113 |
| 150 | 86 | 152 | 108 | 163 | 114 |
| 150 | 90 | 157 | 109 | 169 | 115 |
| 150 | 96 | 163 | 110 | 175 | 116 |
| 150 | 102 | 173 | 111 | 187 | 118 |

| | | | | |
|---|-------------|----------------------|------------|----------|
|  <p>FUTURE PIPE INDUSTRIES Complete Pipe System Solutions</p> | Checked : | | Approved : | |
| | Prepared | JK | Date : | 26-10-05 |
| | Drawing No. | FS-STD-FITT-INCH- 29 | | Rev. 0 |


This document contains confidential and proprietary information of Future Pipe Industries. No reproduction or disclosure of any part hereof to third parties or use hereof is allowed without authorization in writing. All rights are vested in Future Pipe Industries

FRP Tee - SP/SP-SP

Fiberstrong® Product Data
Applicable Series : PCN/VCN



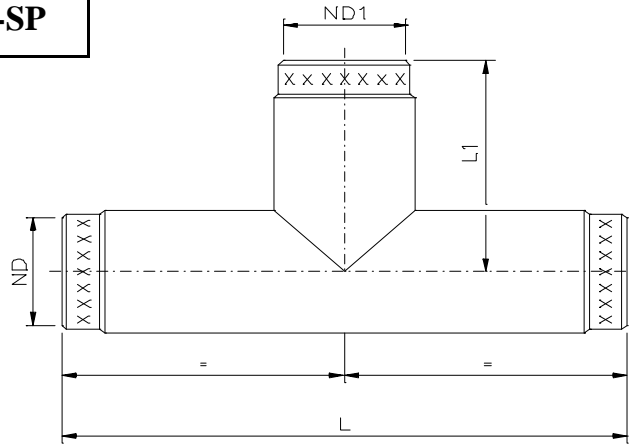
| ND Inch | ND1 Inch | 50 Psig | | 100 Psig | |
|------------|-------------|-----------|------------|-----------|------------|
| | | L Inch | L1 Inch | L Inch | L1 Inch |
| 150 | 106 | 179 | 112 | 193 | 119 |
| 150 | 110 | 184 | 112 | 199 | 120 |
| 150 | 114 | 190 | 114 | 204 | 121 |
| 150 | 120 | 196 | 114 | 211 | 122 |
| 150 | 123 | | | | |
| 150 | 126 | 207 | 116 | 223 | 124 |
| 150 | 130 | 212 | 116 | 229 | 125 |
| 150 | 132 | 217 | 117 | 235 | 126 |
| 150 | 138 | 223 | 118 | 241 | 127 |
| 150 | 144 | 234 | 119 | 253 | 129 |
| 150 | 150 | 240 | 120 | 259 | 130 |
| | | | | | |
| 154 | 12 | 48 | 90 | 49 | 91 |
| 154 | 14 | 50 | 93 | 52 | 94 |
| 154 | 16 | 53 | 93 | 55 | 94 |
| 154 | 18 | 56 | 94 | 58 | 95 |
| 154 | 20 | 59 | 94 | 61 | 95 |
| 154 | 24 | 64 | 96 | 67 | 97 |
| 154 | 27 | 70 | 97 | 73 | 98 |
| 154 | 30 | 72 | 97 | 76 | 99 |
| 154 | 33 | 75 | 97 | 79 | 99 |
| 154 | 36 | 80 | 98 | 85 | 100 |
| 154 | 42 | 92 | 101 | 97 | 104 |
| 154 | 48 | 97 | 102 | 104 | 105 |
| 154 | 54 | 108 | 103 | 115 | 107 |
| 154 | 60 | 113 | 104 | 121 | 108 |
| 154 | 64 | 119 | 104 | 127 | 109 |
| 154 | 66 | 124 | 105 | 133 | 109 |
| 154 | 72 | 130 | 106 | 139 | 110 |
| 154 | 74 | 135 | 106 | 145 | 111 |
| 154 | 78 | 140 | 109 | 151 | 114 |
| 154 | 82 | 146 | 110 | 157 | 115 |

| | | | | |
|---|-------------|----------------------|------------|----------|
|  <p>FUTURE PIPE INDUSTRIES Complete Pipe System Solutions</p> | Checked : | | Approved : | |
| | Prepared | JK | Date : | 26-10-05 |
| | Drawing No. | FS-STD-FITT-INCH- 30 | | Rev. 0 |


This document contains confidential and proprietary information of Future Pipe Industries. No reproduction or disclosure of any part hereof to third parties or use hereof is allowed without authorization in writing. All rights are vested in Future Pipe Industries

FRP Tee - SP/SP-SP

Fiberstrong® Product Data
Applicable Series : PCN/VCN



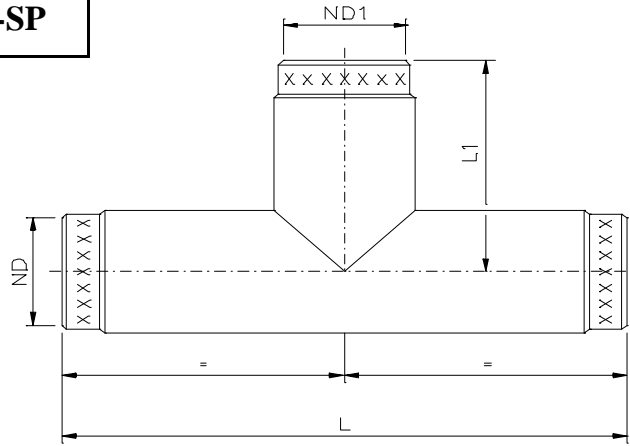
| ND Inch | ND1 Inch | 50 Psig | | 100 Psig | |
|------------|-------------|-----------|------------|-----------|------------|
| | | L Inch | L1 Inch | L Inch | L1 Inch |
| 154 | 86 | 152 | 110 | 163 | 116 |
| 154 | 90 | 157 | 111 | 169 | 117 |
| 154 | 96 | 163 | 112 | 175 | 118 |
| 154 | 102 | 173 | 113 | 187 | 120 |
| 154 | 102 | 173 | 113 | 187 | 120 |
| 154 | 106 | 179 | 114 | 193 | 121 |
| 154 | 110 | 184 | 114 | 199 | 122 |
| 154 | 114 | 190 | 116 | 204 | 123 |
| 154 | 120 | 196 | 116 | 211 | 124 |
| 154 | 126 | 207 | 118 | 223 | 126 |
| 154 | 126 | 207 | 118 | 223 | 126 |
| 154 | 130 | 212 | 118 | 229 | 127 |
| 154 | 132 | 217 | 119 | 235 | 128 |
| 154 | 138 | 223 | 120 | 241 | 129 |
| 154 | 144 | 234 | 121 | 253 | 131 |
| 154 | 150 | 240 | 122 | 259 | 132 |
| 154 | 150 | 240 | 122 | 259 | 132 |
| 154 | 154 | 244 | 122 | 264 | 132 |
| 158 | 12 | 48 | 92 | 49 | 93 |
| 158 | 14 | 50 | 95 | 52 | 96 |
| 158 | 16 | 53 | 96 | 55 | 97 |
| 158 | 18 | 56 | 96 | 58 | 97 |
| 158 | 20 | 59 | 96 | 61 | 97 |
| 158 | 24 | 64 | 98 | 67 | 100 |
| 158 | 27 | 70 | 99 | 73 | 101 |
| 158 | 30 | 72 | 99 | 76 | 101 |
| 158 | 33 | 75 | 99 | 79 | 101 |
| 158 | 36 | 80 | 100 | 85 | 102 |
| 158 | 42 | 92 | 103 | 97 | 106 |
| 158 | 48 | 97 | 104 | 104 | 107 |
| 158 | 54 | 108 | 105 | 115 | 109 |

| | | | | |
|---|-------------|----------------------|------------|----------|
|  <p>FUTURE PIPE INDUSTRIES Complete Pipe System Solutions</p> | Checked : | | Approved : | |
| | Prepared | JK | Date : | 26-10-05 |
| | Drawing No. | FS-STD-FITT-INCH- 31 | | Rev. 0 |


This document contains confidential and proprietary information of Future Pipe Industries. No reproduction or disclosure of any part hereof to third parties or use hereof is allowed without authorization in writing. All rights are vested in Future Pipe Industries

FRP Tee - SP/SP-SP

Fiberstrong® Product Data
Applicable Series : PCN/VCN



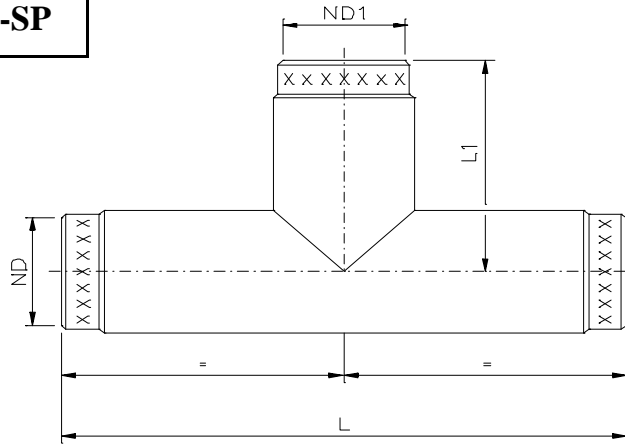
| ND Inch | ND1 Inch | 50 Psig | | 100 Psig | |
|------------|-------------|-----------|------------|-----------|------------|
| | | L Inch | L1 Inch | L Inch | L1 Inch |
| 158 | 60 | 113 | 106 | 121 | 110 |
| 158 | 64 | 119 | 107 | 127 | 111 |
| 158 | 66 | 124 | 107 | 133 | 112 |
| 158 | 72 | 130 | 108 | 139 | 113 |
| 158 | 74 | 135 | 109 | 145 | 114 |
| 158 | 78 | 140 | 111 | 151 | 116 |
| 158 | 82 | 146 | 112 | 157 | 117 |
| 158 | 86 | 152 | 113 | 163 | 118 |
| 158 | 90 | 157 | 113 | 169 | 119 |
| 158 | 96 | 163 | 114 | 175 | 120 |
| 158 | 102 | 173 | 115 | 187 | 122 |
| 158 | 102 | 173 | 115 | 187 | 122 |
| 158 | 106 | 179 | 116 | 193 | 123 |
| 158 | 110 | 184 | 117 | 199 | 124 |
| 158 | 114 | 190 | 118 | 204 | 125 |
| 158 | 120 | 196 | 119 | 211 | 126 |
| 158 | 126 | 207 | 120 | 223 | 128 |
| 158 | 126 | 207 | 120 | 223 | 128 |
| 158 | 130 | 212 | 121 | 229 | 129 |
| 158 | 132 | 217 | 121 | 235 | 130 |
| 158 | 138 | 223 | 122 | 241 | 131 |
| 158 | 144 | 234 | 123 | 253 | 133 |
| 158 | 150 | 240 | 124 | 259 | 134 |
| 158 | 150 | 240 | 124 | 259 | 134 |
| 158 | 154 | 244 | 125 | 264 | 135 |
| 158 | 158 | 250 | 125 | 271 | 136 |

| | | | | |
|---|-------------|----------------------|------------|----------|
|  <p>FUTURE PIPE INDUSTRIES Complete Pipe System Solutions</p> | Checked : | | Approved : | |
| | Prepared | JK | Date : | 26-10-05 |
| | Drawing No. | FS-STD-FITT-INCH- 32 | | Rev. 0 |


This document contains confidential and proprietary information of Future Pipe Industries. No reproduction or disclosure of any part hereof to third parties or use hereof is allowed without authorization in writing. All rights are vested in Future Pipe Industries

FRP Tee - SP/SP-SP

Fiberstrong® Product Data
Applicable Series : PCN/VCN

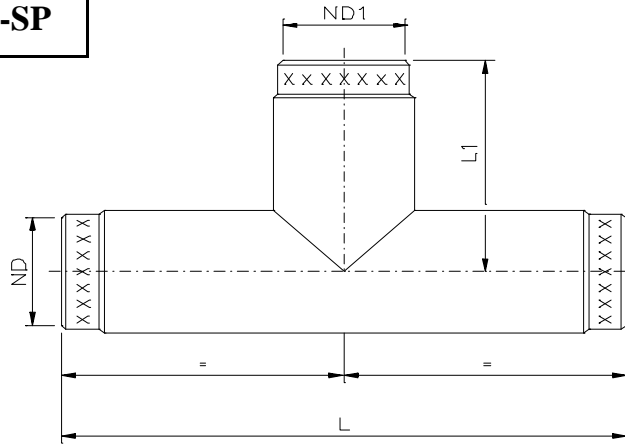


| ND Inch | ND1 Inch | 175 Psig | | 250 Psig | |
|------------|-------------|-----------|------------|-----------|------------|
| | | L Inch | L1 Inch | L Inch | L1 Inch |
| 3 | 3 | 21 | 11 | 21 | 11 |
| 4 | 3 | 21 | 11 | 21 | 11 |
| 4 | 4 | 22 | 11 | 22 | 11 |
| 6 | 3 | 21 | 12 | 21 | 12 |
| 6 | 4 | 22 | 12 | 22 | 12 |
| 6 | 6 | 24 | 12 | 25 | 13 |
| 8 | 3 | 21 | 13 | 21 | 13 |
| 8 | 4 | 22 | 13 | 22 | 13 |
| 8 | 6 | 24 | 13 | 25 | 14 |
| 8 | 8 | 28 | 14 | 28 | 14 |
| 10 | 4 | 22 | 14 | 22 | 14 |
| 10 | 6 | 24 | 14 | 25 | 15 |
| 10 | 8 | 28 | 15 | 28 | 15 |
| 10 | 10 | 31 | 15 | 32 | 16 |
| 12 | 6 | 24 | 15 | 25 | 16 |
| 12 | 8 | 28 | 16 | 28 | 17 |
| 12 | 10 | 31 | 17 | 32 | 18 |
| 12 | 12 | 34 | 17 | 36 | 18 |
| 14 | 8 | 33 | 17 | 34 | 18 |
| 14 | 10 | 36 | 18 | 38 | 19 |
| 14 | 12 | 40 | 18 | 42 | 19 |
| 14 | 14 | 43 | 21 | 45 | 23 |


| | | | | |
|---|-------------|----------------------|------------|----------|
|  FUTURE PIPE INDUSTRIES Complete Pipe System Solutions | Checked : | | Approved : | |
| | Prepared | JK | Date : | 26-10-05 |
| | Drawing No. | FS-STD-FITT-INCH- 33 | | Rev. 0 |
| This document contains confidential and proprietary information of Future Pipe Industries. No reproduction or disclosure of any part hereof to third parties or use hereof is allowed without authorization in writing. All rights are vested in Future Pipe Industries | | | | |

FRP Tee - SP/SP-SP

Fiberstrong® Product Data
Applicable Series : PCN/VCN



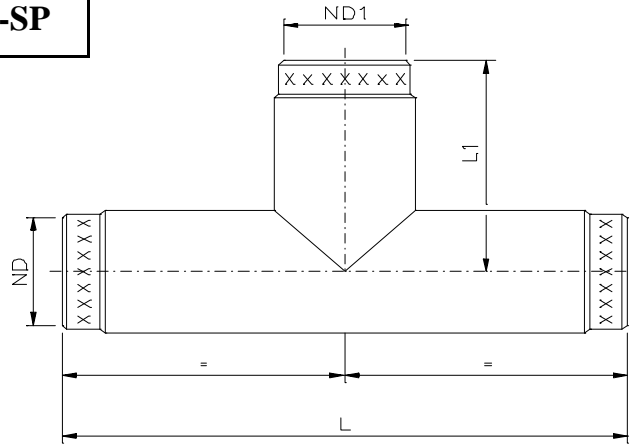
| ND Inch | ND1 Inch | 175 Psig | | 250 Psig | |
|------------|-------------|-----------|------------|-----------|------------|
| | | L Inch | L1 Inch | L Inch | L1 Inch |
| 16 | 6 | 29 | 17 | 30 | 18 |
| 16 | 8 | 33 | 18 | 34 | 19 |
| 16 | 10 | 36 | 19 | 38 | 20 |
| 16 | 12 | 40 | 19 | 42 | 20 |
| 16 | 14 | 43 | 22 | 45 | 24 |
| 16 | 16 | 46 | 23 | 49 | 25 |
| 18 | 8 | 33 | 19 | 34 | 20 |
| 18 | 10 | 36 | 20 | 38 | 21 |
| 18 | 12 | 40 | 20 | 42 | 21 |
| 18 | 14 | 43 | 24 | 45 | 25 |
| 18 | 16 | 46 | 24 | 49 | 26 |
| 18 | 18 | 50 | 25 | 53 | 27 |
| 20 | 8 | 33 | 20 | 34 | 21 |
| 20 | 10 | 36 | 21 | 38 | 22 |
| 20 | 12 | 40 | 21 | 42 | 22 |
| 20 | 14 | 43 | 25 | 45 | 26 |
| 20 | 16 | 46 | 25 | 49 | 27 |
| 20 | 18 | 50 | 26 | 53 | 28 |
| 20 | 20 | 53 | 27 | 57 | 29 |
| 24 | 10 | 39 | 23 | 40 | 24 |
| 24 | 12 | 42 | 23 | 44 | 25 |
| 24 | 14 | 45 | 27 | 48 | 28 |
| 24 | 16 | 48 | 27 | 52 | 29 |
| 24 | 18 | 52 | 28 | 56 | 30 |
| 24 | 20 | 56 | 29 | 60 | 31 |
| 24 | 24 | 62 | 31 | 67 | 33 |

| | | | | |
|--|-------------|----------------------|------------|----------|
|  FUTURE PIPE INDUSTRIES Complete Pipe System Solutions | Checked : | | Approved : | |
| | Prepared | JK | Date : | 26-10-05 |
| | Drawing No. | FS-STD-FITT-INCH- 34 | | Rev. 0 |


This document contains confidential and proprietary information of Future Pipe Industries. No reproduction or disclosure of any part hereof to third parties or use hereof is allowed without authorization in writing. All rights are vested in Future Pipe Industries

FRP Tee - SP/SP-SP

Fiberstrong® Product Data
Applicable Series : PCN/VCN

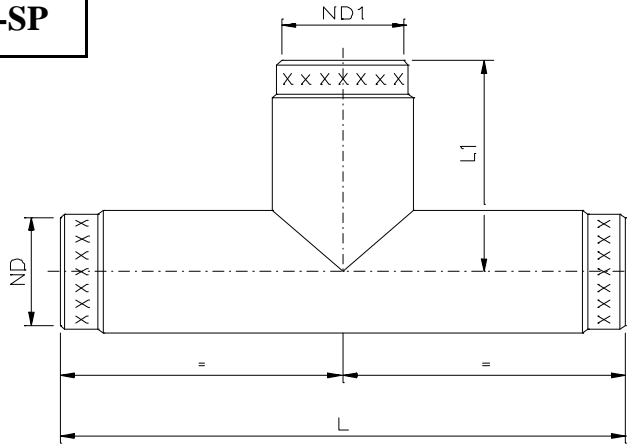


| ND Inch | ND1 Inch | 175 Psig | | 250 Psig | |
|------------|-------------|-----------|------------|-----------|------------|
| | | L Inch | L1 Inch | L Inch | L1 Inch |
| 27 | 10 | 39 | 25 | 40 | 26 |
| 27 | 12 | 42 | 25 | 44 | 27 |
| 27 | 14 | 45 | 29 | 48 | 30 |
| 27 | 16 | 48 | 30 | 52 | 31 |
| 27 | 18 | 52 | 30 | 56 | 32 |
| 27 | 20 | 56 | 31 | 60 | 33 |
| 27 | 24 | 62 | 33 | 67 | 36 |
| 27 | 27 | 69 | 35 | 75 | 37 |
| 30 | 12 | 42 | 26 | 44 | 28 |
| 30 | 14 | 45 | 30 | 48 | 31 |
| 30 | 16 | 48 | 31 | 52 | 32 |
| 30 | 18 | 52 | 31 | 56 | 33 |
| 30 | 20 | 56 | 32 | 60 | 34 |
| 30 | 24 | 62 | 34 | 67 | 37 |
| 30 | 27 | 69 | 36 | 75 | 38 |
| 30 | 30 | 72 | 36 | 78 | 39 |
| 33 | 12 | 42 | 28 | 44 | 29 |
| 33 | 14 | 45 | 31 | 48 | 32 |
| 33 | 16 | 48 | 32 | 52 | 33 |
| 33 | 18 | 52 | 32 | 56 | 34 |
| 33 | 20 | 56 | 33 | 60 | 35 |
| 33 | 24 | 62 | 35 | 67 | 38 |
| 33 | 27 | 69 | 37 | 75 | 39 |
| 33 | 30 | 72 | 37 | 78 | 40 |
| 33 | 33 | 76 | 38 | 82 | 41 |
| 36 | 12 | 42 | 30 | 44 | 31 |
| 36 | 14 | 45 | 33 | 48 | 34 |
| 36 | 16 | 48 | 34 | 52 | 35 |
| 36 | 18 | 52 | 34 | 56 | 36 |
| 36 | 20 | 56 | 35 | 60 | 37 |


| | | | | |
|---|-------------|----------------------|------------|----------|
|  | Checked : | | Approved : | |
| | Prepared | JK | Date : | 26-10-05 |
| | Drawing No. | FS-STD-FITT-INCH- 35 | | Rev. 0 |
| This document contains confidential and proprietary information of Future Pipe Industries. No reproduction or disclosure of any part hereof to third parties or use hereof is allowed without authorization in writing. All rights are vested in Future Pipe Industries | | | | |

FRP Tee - SP/SP-SP

Fiberstrong® Product Data
Applicable Series : PCN/VCN

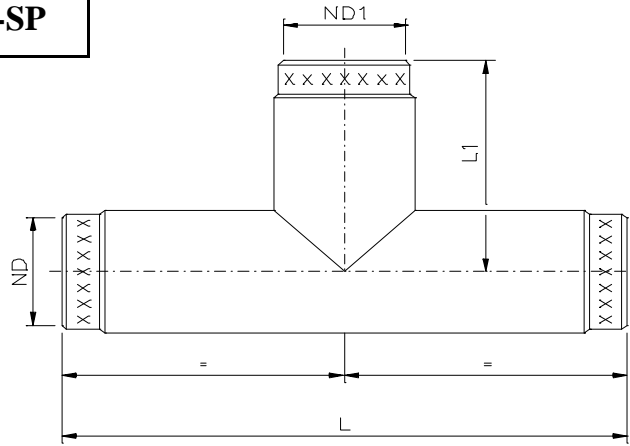


| ND Inch | ND1 Inch | 175 Psig | | 250 Psig | |
|------------|-------------|-----------|------------|-----------|------------|
| | | L Inch | L1 Inch | L Inch | L1 Inch |
| 36 | 24 | 62 | 37 | 67 | 40 |
| 36 | 27 | 69 | 39 | 75 | 41 |
| 36 | 30 | 72 | 39 | 78 | 42 |
| 36 | 33 | 76 | 40 | 82 | 43 |
| 36 | 36 | 82 | 41 | 89 | 45 |
| 42 | 12 | 46 | 34 | 48 | 35 |
| 42 | 14 | 49 | 37 | 52 | 38 |
| 42 | 16 | 52 | 38 | 56 | 39 |
| 42 | 18 | 56 | 38 | 60 | 40 |
| 42 | 20 | 60 | 39 | 64 | 41 |
| 42 | 24 | 66 | 42 | 71 | 44 |
| 42 | 27 | 73 | 43 | 79 | 46 |
| 42 | 30 | 76 | 43 | 82 | 46 |
| 42 | 33 | 80 | 44 | 86 | 47 |
| 42 | 36 | 86 | 45 | 93 | 49 |
| 42 | 42 | 100 | 50 | 108 | 54 |
| 48 | 12 | 46 | 36 | 48 | 37 |
| 48 | 14 | 49 | 39 | 52 | 41 |
| 48 | 16 | 52 | 40 | 56 | 41 |
| 48 | 18 | 56 | 41 | 60 | 42 |
| 48 | 20 | 60 | 41 | 64 | 43 |
| 48 | 24 | 66 | 44 | 71 | 46 |
| 48 | 27 | 73 | 45 | 79 | 48 |
| 48 | 30 | 76 | 46 | 82 | 49 |
| 48 | 33 | 80 | 46 | 86 | 49 |
| 48 | 36 | 86 | 48 | 93 | 51 |
| 48 | 42 | 100 | 52 | 108 | 57 |
| 48 | 48 | 107 | 54 | 116 | 58 |


| | | | | |
|--|-------------|----------------------|------------|----------|
|  <p>FPI FUTURE PIPE INDUSTRIES Complete Pipe System Solutions</p> | Checked : | | Approved : | |
| | Prepared | JK | Date : | 26-10-05 |
| | Drawing No. | FS-STD-FITT-INCH- 36 | | Rev. 0 |
| <p>This document contains confidential and proprietary information of Future Pipe Industries. No reproduction or disclosure of any part hereof to third parties or use hereof is allowed without authorization in writing. All rights are vested in Future Pipe Industries</p> | | | | |

FRP Tee - SP/SP-SP

Fiberstrong® Product Data
Applicable Series : PCN/VCN

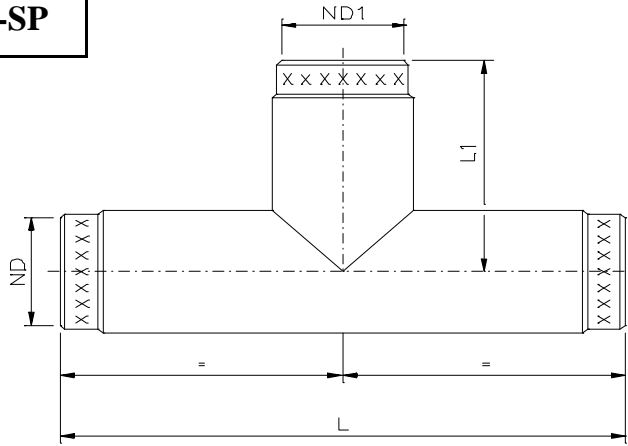


| ND Inch | ND1 Inch | 175 Psig | | 250 Psig | |
|------------|-------------|-----------|------------|-----------|------------|
| | | L Inch | L1 Inch | L Inch | L1 Inch |
| 54 | 12 | 46 | 40 | 48 | 41 |
| 54 | 14 | 49 | 43 | 52 | 45 |
| 54 | 16 | 52 | 44 | 56 | 45 |
| 54 | 18 | 56 | 45 | 60 | 46 |
| 54 | 20 | 60 | 45 | 64 | 47 |
| 54 | 24 | 66 | 48 | 71 | 50 |
| 54 | 27 | 73 | 49 | 79 | 52 |
| 54 | 30 | 76 | 50 | 82 | 53 |
| 54 | 33 | 80 | 50 | 86 | 53 |
| 54 | 36 | 86 | 52 | 93 | 55 |
| 54 | 42 | 100 | 56 | 108 | 61 |
| 54 | 48 | 107 | 58 | 116 | 62 |
| 54 | 54 | 120 | 60 | 131 | 66 |
| 60 | 12 | 46 | 42 | 48 | 43 |
| 60 | 14 | 49 | 45 | 52 | 47 |
| 60 | 16 | 52 | 46 | 56 | 48 |
| 60 | 18 | 56 | 47 | 60 | 49 |
| 60 | 20 | 60 | 47 | 64 | 49 |
| 60 | 24 | 66 | 50 | 71 | 52 |
| 60 | 27 | 73 | 51 | 79 | 54 |
| 60 | 30 | 76 | 52 | 82 | 55 |
| 60 | 33 | 80 | 53 | 86 | 56 |
| 60 | 36 | 86 | 54 | 93 | 57 |
| 60 | 42 | 100 | 58 | 108 | 63 |
| 60 | 48 | 107 | 60 | 116 | 64 |
| 60 | 54 | 120 | 62 | 131 | 68 |
| 60 | 60 | 127 | 64 | 139 | 69 |
| 64 | 12 | 46 | 44 | 48 | 45 |
| 64 | 14 | 49 | 47 | 52 | 49 |
| 64 | 16 | 52 | 48 | 56 | 50 |


| | | | | |
|--|-------------|----------------------|------------|----------|
|  <p>FUTURE PIPE INDUSTRIES Complete Pipe System Solutions</p> | Checked : | | Approved : | |
| | Prepared | JK | Date : | 26-10-05 |
| | Drawing No. | FS-STD-FITT-INCH- 37 | | Rev. 0 |
| <p>This document contains confidential and proprietary information of Future Pipe Industries. No reproduction or disclosure of any part hereof to third parties or use hereof is allowed without authorization in writing. All rights are vested in Future Pipe Industries</p> | | | | |

FRP Tee - SP/SP-SP

Fiberstrong® Product Data
Applicable Series : PCN/VCN

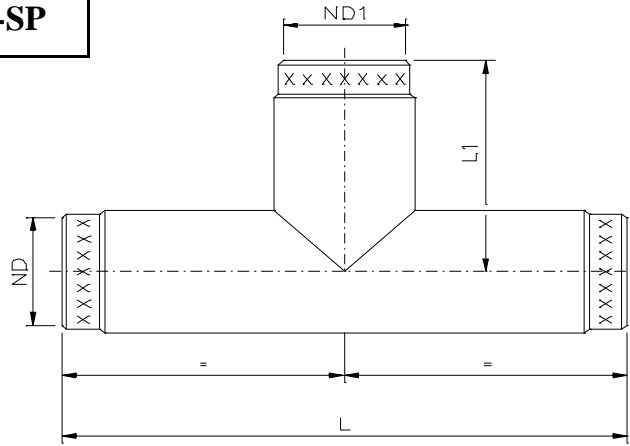


| ND Inch | ND1 Inch | 175 Psig | | 250 Psig | |
|------------|-------------|-----------|------------|-----------|------------|
| | | L Inch | L1 Inch | L Inch | L1 Inch |
| 64 | 18 | 56 | 49 | 60 | 51 |
| 64 | 20 | 60 | 49 | 64 | 51 |
| 64 | 24 | 66 | 52 | 71 | 54 |
| 64 | 27 | 73 | 53 | 79 | 56 |
| 64 | 30 | 76 | 54 | 82 | 57 |
| 64 | 33 | 80 | 55 | 86 | 58 |
| 64 | 36 | 86 | 56 | 93 | 59 |
| 64 | 42 | 100 | 60 | 108 | 65 |
| 64 | 48 | 107 | 62 | 116 | 66 |
| 64 | 54 | 120 | 64 | 131 | 70 |
| 64 | 60 | 127 | 66 | 139 | 71 |
| 64 | 64 | 134 | 67 | 146 | 73 |
| 66 | 12 | 46 | 46 | 48 | 47 |
| 66 | 14 | 49 | 50 | 52 | 51 |
| 66 | 16 | 52 | 50 | 56 | 52 |
| 66 | 18 | 56 | 51 | 60 | 53 |
| 66 | 20 | 60 | 52 | 64 | 54 |
| 66 | 24 | 66 | 54 | 71 | 56 |
| 66 | 27 | 73 | 55 | 79 | 58 |
| 66 | 30 | 76 | 56 | 82 | 59 |
| 66 | 33 | 80 | 57 | 86 | 60 |
| 66 | 36 | 86 | 58 | 93 | 62 |
| 66 | 42 | 100 | 63 | 108 | 67 |
| 66 | 48 | 107 | 64 | 116 | 69 |
| 66 | 54 | 120 | 67 | 131 | 72 |
| 66 | 60 | 127 | 68 | 139 | 74 |
| 66 | 64 | 134 | 69 | 146 | 75 |
| 66 | 66 | 140 | 70 | 154 | 77 |


| | | | | |
|--|-------------|----------------------|------------|----------|
|  <p>FPI FUTURE PIPE INDUSTRIES Complete Pipe System Solutions</p> | Checked : | | Approved : | |
| | Prepared | JK | Date : | 26-10-05 |
| | Drawing No. | FS-STD-FITT-INCH- 38 | | Rev. 0 |
| <p>This document contains confidential and proprietary information of Future Pipe Industries. No reproduction or disclosure of any part hereof to third parties or use hereof is allowed without authorization in writing. All rights are vested in Future Pipe Industries</p> | | | | |

FRP Tee - SP/SP-SP

Fiberstrong® Product Data
Applicable Series : PCN/VCN



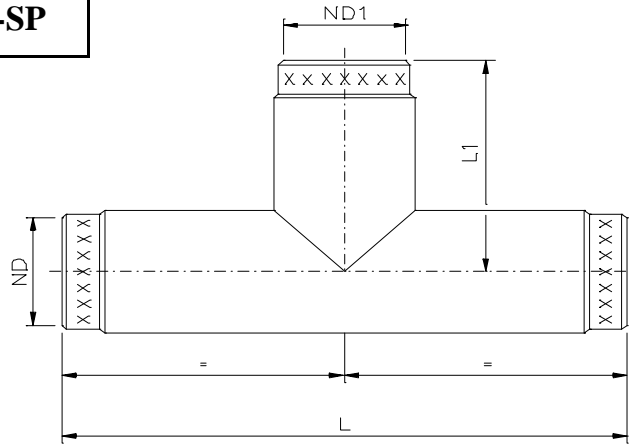
| ND Inch | ND1 Inch | 175 Psig | | 250 Psig | |
|------------|-------------|-----------|------------|-----------|------------|
| | | L Inch | L1 Inch | L Inch | L1 Inch |
| 72 | 12 | 46 | 48 | 48 | 50 |
| 72 | 14 | 49 | 52 | 52 | 53 |
| 72 | 16 | 52 | 52 | 56 | 54 |
| 72 | 18 | 56 | 53 | 60 | 55 |
| 72 | 20 | 60 | 54 | 64 | 56 |
| 72 | 24 | 66 | 56 | 71 | 58 |
| 72 | 27 | 73 | 57 | 79 | 60 |
| 72 | 30 | 76 | 58 | 82 | 61 |
| 72 | 33 | 80 | 59 | 86 | 62 |
| 72 | 36 | 86 | 60 | 93 | 64 |
| 72 | 42 | 100 | 65 | 108 | 69 |
| 72 | 48 | 107 | 66 | 116 | 71 |
| 72 | 54 | 120 | 69 | 131 | 74 |
| 72 | 60 | 127 | 70 | 139 | 76 |
| 72 | 64 | 134 | 71 | 146 | 77 |
| 72 | 66 | 140 | 72 | 154 | 79 |
| 72 | 72 | 148 | 74 | 161 | 81 |
| 74 | 12 | 46 | 50 | 48 | 52 |
| 74 | 14 | 49 | 54 | 52 | 55 |
| 74 | 16 | 52 | 54 | 56 | 56 |
| 74 | 18 | 56 | 55 | 60 | 57 |
| 74 | 20 | 60 | 56 | 64 | 58 |
| 74 | 24 | 66 | 58 | 71 | 60 |
| 74 | 27 | 73 | 59 | 79 | 62 |
| 74 | 30 | 76 | 60 | 82 | 63 |
| 74 | 33 | 80 | 61 | 86 | 64 |
| 74 | 36 | 86 | 62 | 93 | 66 |
| 74 | 42 | 100 | 67 | 108 | 71 |
| 74 | 48 | 107 | 68 | 116 | 73 |
| 74 | 54 | 120 | 71 | 131 | 76 |
| 74 | 60 | 127 | 72 | 139 | 78 |
| 74 | 64 | 134 | 73 | 146 | 79 |

| | | | | |
|--|-------------|----------------------|------------|----------|
|  FUTURE PIPE INDUSTRIES Complete Pipe System Solutions | Checked : | | Approved : | |
| | Prepared | JK | Date : | 26-10-05 |
| | Drawing No. | FS-STD-FITT-INCH- 39 | | Rev. 0 |


This document contains confidential and proprietary information of Future Pipe Industries. No reproduction or disclosure of any part hereof to third parties or use hereof is allowed without authorization in writing. All rights are vested in Future Pipe Industries

FRP Tee - SP/SP-SP

Fiberstrong® Product Data
Applicable Series : PCN/VCN



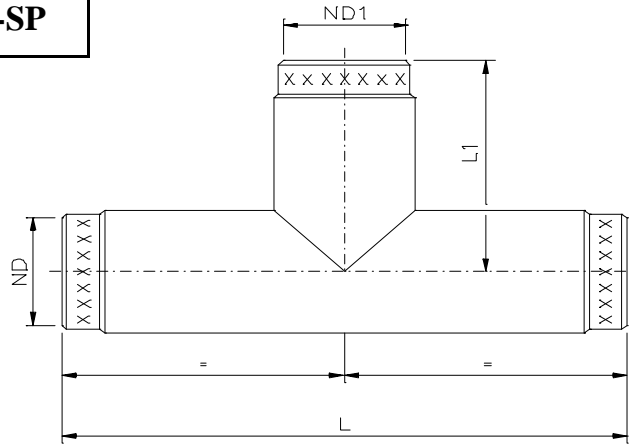
| ND Inch | ND1 Inch | 175 Psig | | 250 Psig | |
|------------|-------------|-----------|------------|-----------|------------|
| | | L Inch | L1 Inch | L Inch | L1 Inch |
| 74 | 66 | 140 | 74 | 154 | 81 |
| 74 | 72 | 148 | 76 | 161 | 83 |
| 74 | 74 | 154 | 77 | 168 | 84 |
| 78 | 12 | 50 | 52 | 52 | 54 |
| 78 | 14 | 53 | 56 | 56 | 57 |
| 78 | 16 | 56 | 57 | 60 | 58 |
| 78 | 18 | 60 | 57 | 64 | 59 |
| 78 | 20 | 64 | 58 | 68 | 60 |
| 78 | 24 | 70 | 60 | 75 | 63 |
| 78 | 27 | 77 | 62 | 83 | 64 |
| 78 | 30 | 80 | 62 | 86 | 65 |
| 78 | 33 | 84 | 63 | 90 | 66 |
| 78 | 36 | 90 | 64 | 97 | 68 |
| 78 | 42 | 104 | 69 | 112 | 73 |
| 78 | 48 | 111 | 70 | 120 | 75 |
| 78 | 54 | 124 | 73 | 135 | 78 |
| 78 | 60 | 131 | 74 | 143 | 80 |
| 78 | 64 | 138 | 75 | 150 | 82 |
| 78 | 66 | 144 | 77 | 158 | 83 |
| 78 | 72 | 152 | 78 | 165 | 85 |
| 78 | 74 | 158 | 79 | 172 | 87 |
| 78 | 78 | 165 | 83 | 180 | 90 |
| 82 | 12 | 50 | 55 | 52 | 56 |
| 82 | 14 | 53 | 58 | 56 | 59 |
| 82 | 16 | 56 | 59 | 60 | 60 |
| 82 | 18 | 60 | 59 | 64 | 61 |
| 82 | 20 | 64 | 60 | 68 | 62 |
| 82 | 24 | 70 | 62 | 75 | 65 |
| 82 | 27 | 77 | 64 | 83 | 66 |
| 82 | 30 | 80 | 64 | 86 | 67 |
| 82 | 33 | 84 | 65 | 90 | 68 |

| | | | | |
|---|-------------|----------------------|------------|----------|
|  <p>FUTURE PIPE INDUSTRIES Complete Pipe System Solutions</p> | Checked : | | Approved : | |
| | Prepared | JK | Date : | 26-10-05 |
| | Drawing No. | FS-STD-FITT-INCH- 40 | | Rev. 0 |


This document contains confidential and proprietary information of Future Pipe Industries. No reproduction or disclosure of any part hereof to third parties or use hereof is allowed without authorization in writing. All rights are vested in Future Pipe Industries

FRP Tee - SP/SP-SP

Fiberstrong® Product Data
Applicable Series : PCN/VCN



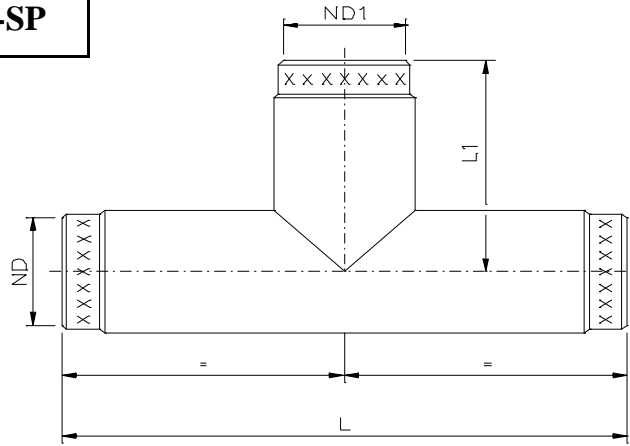
| ND Inch | ND1 Inch | 175 Psig | | 250 Psig | |
|------------|-------------|-----------|------------|-----------|------------|
| | | L Inch | L1 Inch | L Inch | L1 Inch |
| 82 | 36 | 90 | 66 | 97 | 70 |
| 82 | 42 | 104 | 71 | 112 | 75 |
| 82 | 48 | 111 | 72 | 120 | 77 |
| 82 | 54 | 124 | 75 | 135 | 80 |
| 82 | 60 | 131 | 76 | 143 | 82 |
| 82 | 64 | 138 | 77 | 150 | 84 |
| 82 | 66 | 144 | 79 | 158 | 85 |
| 82 | 72 | 152 | 80 | 165 | 87 |
| 82 | 74 | 158 | 81 | 172 | 89 |
| 82 | 78 | 165 | 85 | 180 | 92 |
| 82 | 82 | 172 | 86 | 188 | 94 |
| 84 | 12 | 50 | 57 | 52 | 58 |
| 84 | 14 | 53 | 60 | 56 | 61 |
| 84 | 16 | 56 | 61 | 60 | 62 |
| 84 | 18 | 60 | 61 | 64 | 63 |
| 84 | 20 | 64 | 62 | 68 | 64 |
| 84 | 24 | 70 | 65 | 75 | 67 |
| 84 | 27 | 77 | 66 | 83 | 69 |
| 84 | 30 | 80 | 66 | 86 | 69 |
| 84 | 33 | 84 | 67 | 90 | 70 |
| 84 | 36 | 90 | 68 | 97 | 72 |
| 84 | 42 | 104 | 73 | 112 | 77 |
| 84 | 48 | 111 | 74 | 120 | 79 |
| 84 | 54 | 124 | 77 | 135 | 82 |
| 84 | 60 | 131 | 78 | 143 | 84 |
| 84 | 64 | 138 | 80 | 150 | 86 |
| 84 | 66 | 144 | 81 | 158 | 87 |
| 84 | 72 | 152 | 82 | 165 | 89 |
| 84 | 74 | 158 | 83 | 172 | 91 |
| 84 | 78 | 165 | 87 | 180 | 95 |
| 84 | 82 | 172 | 88 | 188 | 96 |
| 84 | 84 | 179 | 89 | 196 | 98 |

| | | | | |
|---|-------------|----------------------|------------|----------|
|  <p>FUTURE PIPE INDUSTRIES Complete Pipe System Solutions</p> | Checked : | | Approved : | |
| | Prepared | JK | Date : | 26-10-05 |
| | Drawing No. | FS-STD-FITT-INCH- 41 | | Rev. 0 |


This document contains confidential and proprietary information of Future Pipe Industries. No reproduction or disclosure of any part hereof to third parties or use hereof is allowed without authorization in writing. All rights are vested in Future Pipe Industries

FRP Tee - SP/SP-SP

Fiberstrong® Product Data
Applicable Series : PCN/VCN



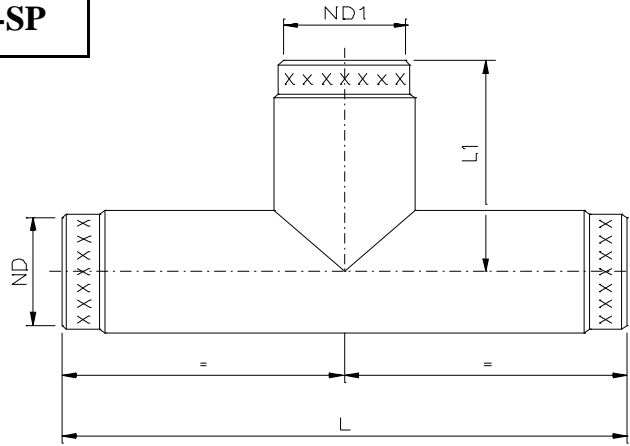
| ND Inch | ND1 Inch | 175 Psig | | 250 Psig | |
|------------|-------------|-----------|------------|-----------|------------|
| | | L Inch | L1 Inch | L Inch | L1 Inch |
| 90 | 12 | 50 | 59 | 52 | 60 |
| 90 | 14 | 53 | 62 | 56 | 63 |
| 90 | 16 | 56 | 63 | 60 | 64 |
| 90 | 18 | 60 | 63 | 64 | 65 |
| 90 | 20 | 64 | 64 | 68 | 66 |
| 90 | 24 | 70 | 67 | 75 | 69 |
| 90 | 27 | 77 | 68 | 83 | 71 |
| 90 | 30 | 80 | 68 | 86 | 71 |
| 90 | 33 | 84 | 69 | 90 | 72 |
| 90 | 36 | 90 | 70 | 97 | 74 |
| 90 | 42 | 104 | 75 | 112 | 79 |
| 90 | 48 | 111 | 76 | 120 | 81 |
| 90 | 54 | 124 | 79 | 135 | 84 |
| 90 | 60 | 131 | 80 | 143 | 86 |
| 90 | 64 | 138 | 82 | 150 | 88 |
| 90 | 66 | 144 | 83 | 158 | 89 |
| 90 | 72 | 152 | 84 | 165 | 91 |
| 90 | 74 | 158 | 85 | 172 | 93 |
| 90 | 78 | 165 | 89 | 180 | 97 |
| 90 | 82 | 172 | 90 | 188 | 98 |
| 90 | 84 | 179 | 91 | 196 | 100 |
| 90 | 90 | 185 | 93 | 203 | 102 |
| 96 | 12 | 50 | 61 | 52 | 62 |
| 96 | 14 | 53 | 64 | 56 | 65 |
| 96 | 16 | 56 | 65 | 60 | 66 |
| 96 | 18 | 60 | 65 | 64 | 67 |
| 96 | 20 | 64 | 66 | 68 | 68 |
| 96 | 24 | 70 | 69 | 75 | 71 |
| 96 | 27 | 77 | 70 | 83 | 73 |
| 96 | 30 | 80 | 70 | 86 | 73 |
| 96 | 33 | 84 | 71 | 90 | 74 |
| 96 | 36 | 90 | 72 | 97 | 76 |

| | | | | |
|---|-------------|----------------------|------------|----------|
|  <p>FUTURE PIPE INDUSTRIES Complete Pipe System Solutions</p> | Checked : | | Approved : | |
| | Prepared | JK | Date : | 26-10-05 |
| | Drawing No. | FS-STD-FITT-INCH- 42 | | Rev. 0 |


This document contains confidential and proprietary information of Future Pipe Industries. No reproduction or disclosure of any part hereof to third parties or use hereof is allowed without authorization in writing. All rights are vested in Future Pipe Industries

FRP Tee - SP/SP-SP

Fiberstrong® Product Data
Applicable Series : PCN/VCN



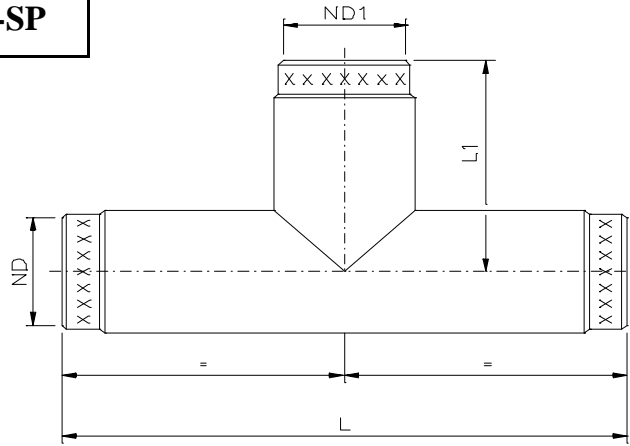
| ND Inch | ND1 Inch | 175 Psig | | 250 Psig | |
|------------|-------------|-----------|------------|-----------|------------|
| | | L Inch | L1 Inch | L Inch | L1 Inch |
| 96 | 42 | 104 | 77 | 112 | 81 |
| 96 | 48 | 111 | 78 | 120 | 83 |
| 96 | 54 | 124 | 81 | 135 | 86 |
| 96 | 60 | 131 | 82 | 143 | 88 |
| 96 | 64 | 138 | 84 | 150 | 90 |
| 96 | 66 | 144 | 85 | 158 | 91 |
| 96 | 72 | 152 | 86 | 165 | 93 |
| 96 | 74 | 158 | 87 | 172 | 95 |
| 96 | 78 | 165 | 91 | 180 | 99 |
| 96 | 82 | 172 | 92 | 188 | 100 |
| 96 | 84 | 179 | 93 | 196 | 102 |
| 96 | 90 | 185 | 95 | 203 | 104 |
| 96 | 96 | 192 | 96 | 211 | 105 |
| 100 | 12 | 50 | 63 | 52 | 64 |
| 100 | 14 | 53 | 66 | 56 | 68 |
| 100 | 16 | 56 | 67 | 60 | 68 |
| 100 | 18 | 60 | 68 | 64 | 69 |
| 100 | 20 | 64 | 68 | 68 | 70 |
| 100 | 24 | 70 | 71 | 75 | 73 |
| 100 | 27 | 77 | 72 | 83 | 75 |
| 100 | 30 | 80 | 73 | 86 | 76 |
| 100 | 33 | 84 | 73 | 90 | 76 |
| 100 | 36 | 90 | 75 | 97 | 78 |
| 100 | 42 | 104 | 79 | 112 | 84 |
| 100 | 48 | 111 | 81 | 120 | 85 |
| 100 | 54 | 124 | 83 | 135 | 89 |
| 100 | 60 | 131 | 84 | 143 | 90 |
| 100 | 64 | 138 | 86 | 150 | 92 |
| 100 | 66 | 144 | 87 | 158 | 94 |
| 100 | 72 | 152 | 88 | 165 | 95 |
| 100 | 74 | 158 | 90 | 172 | 97 |

| | | | | |
|--|-------------|----------------------|------------|----------|
|  <p>FPI FUTURE PIPE INDUSTRIES Complete Pipe System Solutions</p> | Checked : | | Approved : | |
| | Prepared | JK | Date : | 26-10-05 |
| | Drawing No. | FS-STD-FITT-INCH- 43 | | Rev. 0 |


This document contains confidential and proprietary information of Future Pipe Industries. No reproduction or disclosure of any part hereof to third parties or use hereof is allowed without authorization in writing. All rights are vested in Future Pipe Industries

FRP Tee - SP/SP-SP

Fiberstrong® Product Data
Applicable Series : PCN/VCN



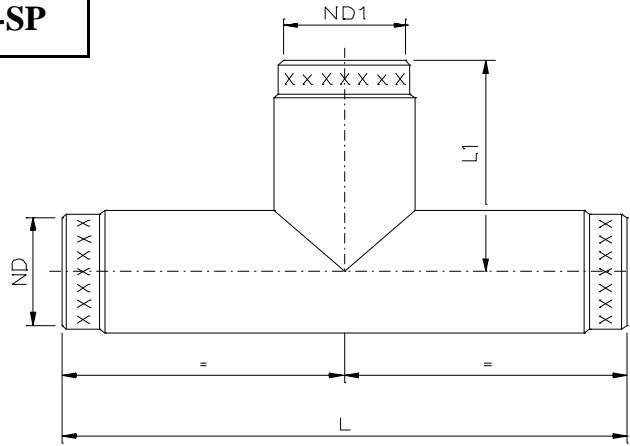
| ND Inch | ND1 Inch | 175 Psig | | 250 Psig | |
|------------|-------------|-----------|------------|-----------|------------|
| | | L Inch | L1 Inch | L Inch | L1 Inch |
| 100 | 78 | 165 | 93 | 180 | 101 |
| 100 | 82 | 172 | 94 | 188 | 102 |
| 100 | 84 | 179 | 96 | 196 | 104 |
| 100 | 90 | 185 | 97 | 203 | 106 |
| 100 | 96 | 192 | 98 | 211 | 108 |
| 100 | 100 | 199 | 100 | 218 | 109 |
| 102 | 12 | 50 | 65 | 52 | 66 |
| 102 | 14 | 53 | 68 | 56 | 70 |
| 102 | 16 | 56 | 69 | 60 | 70 |
| 102 | 18 | 60 | 70 | 64 | 71 |
| 102 | 20 | 64 | 70 | 68 | 72 |
| 102 | 24 | 70 | 73 | 75 | 75 |
| 102 | 27 | 77 | 74 | 83 | 77 |
| 102 | 30 | 80 | 75 | 86 | 78 |
| 102 | 33 | 84 | 75 | 90 | 78 |
| 102 | 36 | 90 | 77 | 97 | 80 |
| 102 | 42 | 104 | 81 | 112 | 86 |
| 102 | 48 | 111 | 83 | 120 | 87 |
| 102 | 54 | 124 | 85 | 135 | 91 |
| 102 | 60 | 131 | 86 | 143 | 92 |
| 102 | 64 | 138 | 88 | 150 | 94 |
| 102 | 66 | 144 | 89 | 158 | 96 |
| 102 | 72 | 152 | 90 | 165 | 97 |
| 102 | 74 | 158 | 92 | 172 | 99 |
| 102 | 78 | 165 | 95 | 180 | 103 |
| 102 | 82 | 172 | 96 | 188 | 104 |
| 102 | 84 | 179 | 98 | 196 | 106 |
| 102 | 90 | 185 | 99 | 203 | 108 |
| 102 | 96 | 192 | 100 | 211 | 110 |
| 102 | 100 | 199 | 102 | 218 | 111 |
| 102 | 102 | 205 | 103 | 226 | 113 |

| | | | | |
|---|-------------|----------------------|------------|----------|
|  | Checked : | | Approved : | |
| | Prepared | JK | Date : | 26-10-05 |
| | Drawing No. | FS-STD-FITT-INCH- 44 | | Rev. 0 |


This document contains confidential and proprietary information of Future Pipe Industries. No reproduction or disclosure of any part hereof to third parties or use hereof is allowed without authorization in writing. All rights are vested in Future Pipe Industries

FRP Tee - SP/SP-SP

Fiberstrong® Product Data
Applicable Series : PCN/VCN



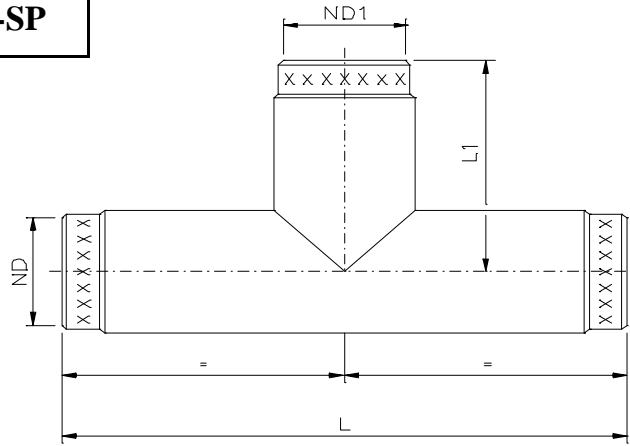
| ND Inch | ND1 Inch | 175 Psig | | 250 Psig | |
|------------|-------------|-----------|------------|-----------|------------|
| | | L Inch | L1 Inch | L Inch | L1 Inch |
| 104 | 12 | 50 | 67 | 52 | 68 |
| 104 | 14 | 53 | 70 | 56 | 72 |
| 104 | 16 | 56 | 71 | 60 | 73 |
| 104 | 18 | 60 | 72 | 64 | 74 |
| 104 | 20 | 64 | 72 | 68 | 74 |
| 104 | 24 | 70 | 75 | 75 | 77 |
| 104 | 27 | 77 | 76 | 83 | 79 |
| 104 | 30 | 80 | 77 | 86 | 80 |
| 104 | 33 | 84 | 78 | 90 | 81 |
| 104 | 36 | 90 | 79 | 97 | 82 |
| 104 | 42 | 104 | 83 | 112 | 88 |
| 104 | 48 | 111 | 85 | 120 | 89 |
| 104 | 54 | 124 | 87 | 135 | 93 |
| 104 | 60 | 131 | 89 | 143 | 94 |
| 104 | 64 | 138 | 90 | 150 | 96 |
| 104 | 66 | 144 | 91 | 158 | 98 |
| 104 | 72 | 152 | 93 | 165 | 100 |
| 104 | 74 | 158 | 94 | 172 | 101 |
| 104 | 78 | 165 | 97 | 180 | 105 |
| 104 | 82 | 172 | 99 | 188 | 107 |
| 104 | 84 | 179 | 100 | 196 | 108 |
| 104 | 90 | 185 | 101 | 203 | 110 |
| 104 | 96 | 192 | 102 | 211 | 112 |
| 104 | 100 | 199 | 104 | 218 | 113 |
| 104 | 102 | 205 | 105 | 226 | 115 |
| 104 | 104 | 212 | 106 | 233 | 117 |
| 108 | 12 | 50 | 69 | 52 | 70 |
| 108 | 14 | 53 | 72 | 56 | 74 |
| 108 | 16 | 56 | 73 | 60 | 75 |
| 108 | 18 | 60 | 74 | 64 | 76 |
| 108 | 20 | 64 | 74 | 68 | 76 |

| | | | | |
|---|-------------|----------------------|------------|----------|
|  <p>FUTURE PIPE INDUSTRIES Complete Pipe System Solutions</p> | Checked : | | Approved : | |
| | Prepared | JK | Date : | 26-10-05 |
| | Drawing No. | FS-STD-FITT-INCH- 45 | | Rev. 0 |

This document contains confidential and proprietary information of Future Pipe Industries. No reproduction or disclosure of any part hereof to third parties or use hereof is allowed without authorization in writing. All rights are vested in Future Pipe Industries


FRP Tee - SP/SP-SP

Fiberstrong® Product Data
Applicable Series : PCN/VCN



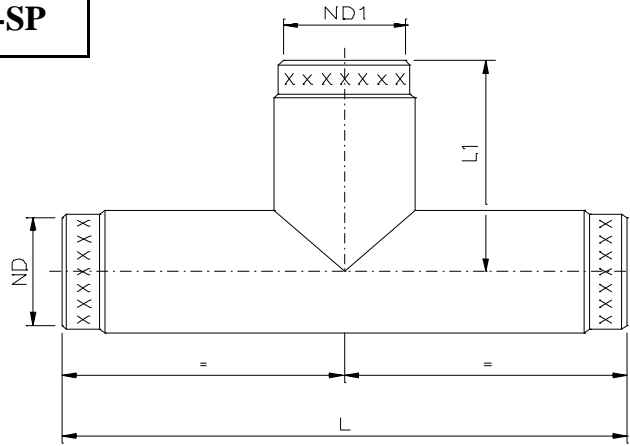
175 Psig

| ND Inch | ND1 Inch | L Inch | L1 Inch |
|------------|-------------|-----------|------------|
| 108 | 27 | 77 | 78 |
| 108 | 30 | 80 | 79 |
| 108 | 33 | 84 | 80 |
| 108 | 36 | 90 | 81 |
| 108 | 42 | 104 | 85 |
| 108 | 48 | 111 | 87 |
| 108 | 54 | 124 | 89 |
| 108 | 60 | 131 | 91 |
| 108 | 64 | 138 | 92 |
| 108 | 66 | 144 | 93 |
| 108 | 72 | 152 | 95 |
| 108 | 74 | 158 | 96 |
| 108 | 78 | 165 | 99 |
| 108 | 82 | 172 | 101 |
| 108 | 84 | 179 | 102 |
| 108 | 90 | 185 | 103 |
| 108 | 96 | 192 | 104 |
| 108 | 100 | 199 | 106 |
| 108 | 102 | 205 | 107 |
| 108 | 104 | 212 | 108 |
| 108 | 108 | 219 | 110 |
| 114 | 12 | 52 | 71 |
| 114 | 14 | 55 | 74 |
| 114 | 16 | 58 | 75 |
| 114 | 18 | 62 | 76 |
| 114 | 20 | 65 | 76 |
| 114 | 24 | 72 | 79 |
| 114 | 27 | 79 | 80 |
| 114 | 30 | 82 | 81 |
| 114 | 33 | 85 | 82 |

| | | | | |
|--|-------------|----------------------|------------|----------|
|  <p>FUTURE PIPE INDUSTRIES Complete Pipe System Solutions</p> | Checked : | | Approved : | |
| | Prepared | JK | Date : | 26-10-05 |
| | Drawing No. | FS-STD-FITT-INCH- 46 | | Rev. 0 |
| <p>This document contains confidential and proprietary information of Future Pipe Industries. No reproduction or disclosure of any part hereof to third parties or use hereof is allowed without authorization in writing. All rights are vested in Future Pipe Industries</p> | | | | |


FRP Tee - SP/SP-SP

Fiberstrong® Product Data
Applicable Series : PCN/VCN



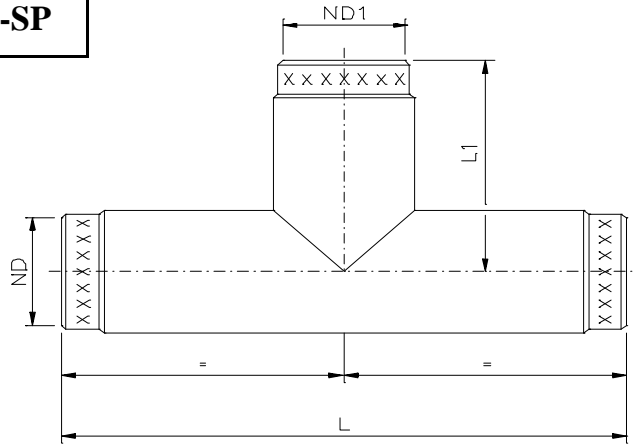
175 Psig

| ND Inch | ND1 Inch | L Inch | L1 Inch |
|------------|-------------|-----------|------------|
| 114 | 36 | 92 | 83 |
| 114 | 42 | 105 | 87 |
| 114 | 48 | 112 | 89 |
| 114 | 54 | 126 | 91 |
| 114 | 60 | 132 | 93 |
| 114 | 64 | 140 | 94 |
| 114 | 66 | 146 | 95 |
| 114 | 72 | 153 | 97 |
| 114 | 74 | 160 | 98 |
| 114 | 78 | 167 | 101 |
| 114 | 82 | 173 | 103 |
| 114 | 84 | 180 | 104 |
| 114 | 90 | 187 | 105 |
| 114 | 96 | 193 | 106 |
| 114 | 100 | 200 | 108 |
| 114 | 102 | 207 | 109 |
| 114 | 104 | 214 | 110 |
| 114 | 108 | 220 | 112 |
| 114 | 114 | 228 | 114 |


| | | | | |
|---|-------------|----------------------|------------|----------|
|  | Checked : | | Approved : | |
| | Prepared | JK | Date : | 26-10-05 |
| | Drawing No. | FS-STD-FITT-INCH- 47 | | Rev. 0 |
| This document contains confidential and proprietary information of Future Pipe Industries. No reproduction or disclosure of any part hereof to third parties or use hereof is allowed without authorization in writing. All rights are vested in Future Pipe Industries | | | | |

FRP Tee - SP/SP-SP

Fiberstrong® Product Data
Applicable Series : PCN/VCN



| ND Inch | ND1 Inch | 50 Psig | | 100 Psig | | 150 Psig | |
|------------|-------------|-----------|------------|-----------|------------|-----------|------------|
| | | L Inch | L1 Inch | L Inch | L1 Inch | L Inch | L1 Inch |
| 3 | 3 | 21 | 11 | 21 | 11 | 21 | 11 |
| 4 | 3 | 21 | 11 | 21 | 11 | 21 | 11 |
| 4 | 4 | 22 | 11 | 22 | 11 | 22 | 11 |
| 6 | 3 | 21 | 12 | 21 | 12 | 21 | 12 |
| 6 | 4 | 22 | 12 | 22 | 12 | 22 | 12 |
| 6 | 6 | 24 | 12 | 24 | 12 | 24 | 12 |
| 8 | 3 | 21 | 13 | 21 | 13 | 21 | 13 |
| 8 | 4 | 22 | 13 | 22 | 13 | 22 | 13 |
| 8 | 6 | 24 | 13 | 24 | 13 | 24 | 13 |
| 8 | 8 | 26 | 13 | 26 | 13 | 27 | 13 |
| 10 | 4 | 22 | 14 | 22 | 14 | 22 | 14 |
| 10 | 6 | 24 | 14 | 24 | 14 | 24 | 14 |
| 10 | 8 | 26 | 14 | 26 | 14 | 27 | 14 |
| 10 | 10 | 28 | 14 | 28 | 14 | 30 | 15 |
| 12 | 6 | 24 | 15 | 24 | 15 | 24 | 15 |
| 12 | 8 | 26 | 15 | 26 | 15 | 27 | 16 |
| 12 | 10 | 28 | 15 | 28 | 16 | 30 | 16 |
| 12 | 12 | 30 | 15 | 32 | 16 | 33 | 17 |
| 14 | 8 | 32 | 16 | 32 | 16 | 32 | 17 |
| 14 | 10 | 33 | 16 | 34 | 17 | 36 | 17 |
| 14 | 12 | 36 | 16 | 37 | 17 | 39 | 18 |
| 14 | 14 | 38 | 19 | 40 | 20 | 42 | 21 |

| | | | | |
|---|-------------|---------------------|------------|----------|
|  | Checked : | | Approved : | |
| | Prepared | JK | Date : | 26-10-05 |
| | Drawing No. | FS-STD-FITT-INCH-06 | | Rev. 0 |

This document contains confidential and proprietary information of Future Pipe Industries L.L.C. No reproduction or disclosure of any part hereof to third parties or use hereof is allowed without authorization in writing. All rights are vested in Future Pipe Industries